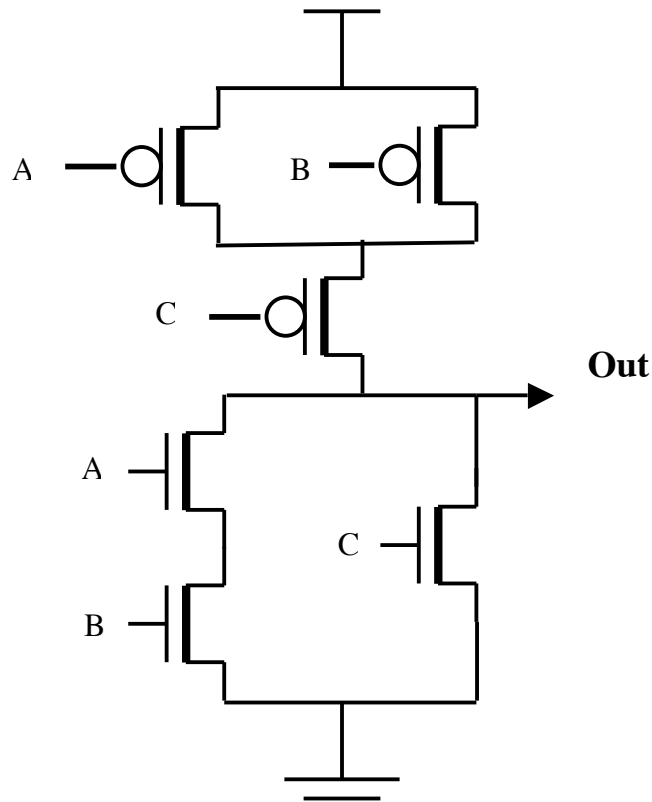


Transistor-Level Circuit Understanding

For the following switch level circuit, complete the truth table computed. If a floating or shorted output is detected, indicate that in the truth table. If no floats or shorts are detected, write the Boolean expression computed by the circuit.

A	B	C	Out
0	0	0	
0	0	1	
0	1	0	
0	1	1	
1	0	0	
1	0	1	
1	1	0	
1	1	1	



Write the Boolean expression for this function