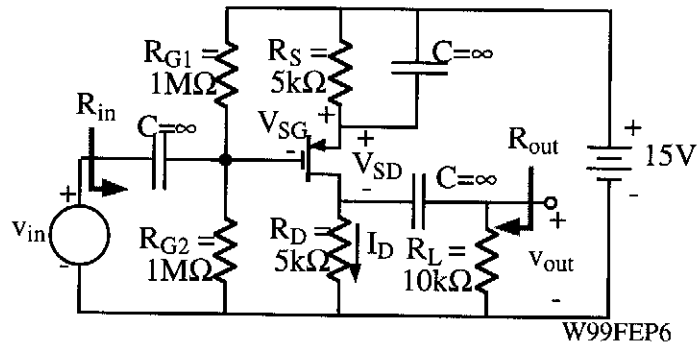


Homework Assignment No. 5Due on Monday, September 23, 2002

1.) Find the dc operating point, the small signal voltage gain, v_{out}/v_{in} , the small signal input resistance, R_{in} , and the small signal output resistance, R_{out} , if $K_n = 0.1\text{mA/V}^2$, $V_{TP} = -1\text{V}$, and $\lambda = 0.01\text{V}^{-1}$.



- 2.) Problem 13.91 of the text.
- 3.) Problem 13.100 of the text. [$A_v = -4.60\text{ V/V}$]
- 4.) Problem 13.108 of the text.
- 5.) Problem 13.119 of the text