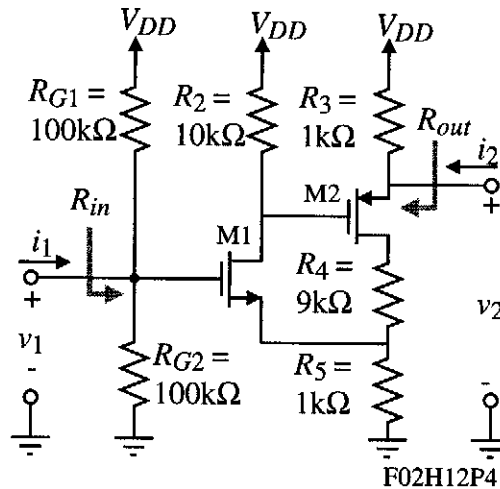


Homework Assignment No. 13Due on Monday, November 18, 2002

- 1.) Problem 18.22 of the text.
- 2.) Problem 18.23 of the text.
- 3.) Problem 18.24
- 4.) Use the method of feedback analysis to find the numerical values of v_2/v_1 , $R_{in} = v_1/i_1$, and $R_{out} = v_2/i_2$. Assume that all transistors are matched and that $g_{m1} = g_{m2} = 1\text{mS}$. Neglect r_{ds} of the transistors.



Ans. [$v_2/v_1 = -0.714\text{V/V}$, $v_1/i_1 = 50\text{k}\Omega$, and $v_2/i_2 = 857\Omega$]

- 5.) Problem 18.32 of the text.