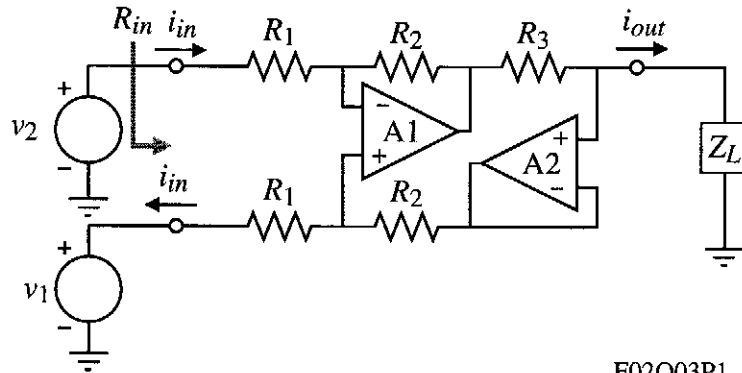


## QUIZ NO. 3

NAME \_\_\_\_\_ Score \_\_\_\_\_ /10

Assume that the op amps are ideal and find  $i_{out}$  as a function of the inputs,  $v_1$  and  $v_2$ . Find the input resistance defined as  $R_{in} = (v_2 - v_1)/i_{in}$ .



F02Q03P1