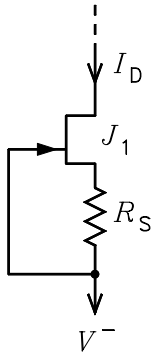
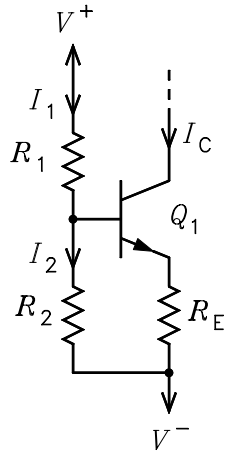


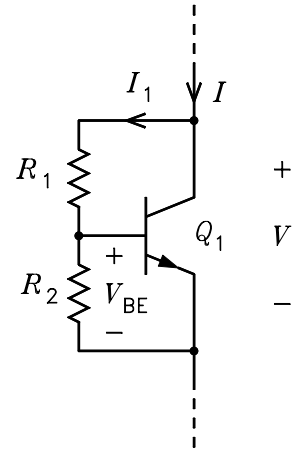
A JFET Current Source



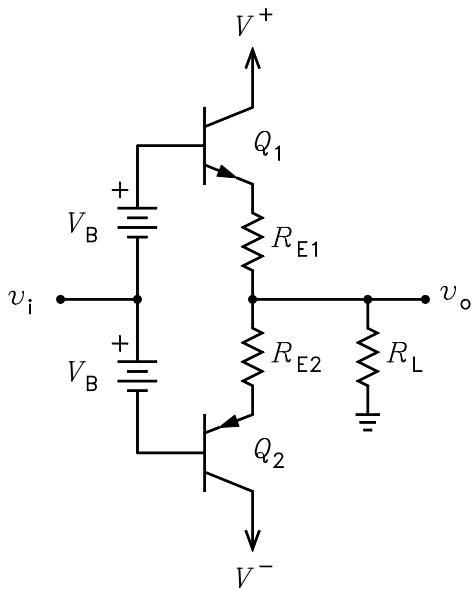
A BJT Current Source



A VBE Multiplier



A Complementary CC Stage



A Complementary CC Stage with a VBE Multiplier Bias Circuit

