

Summary of MOSFET Models with Body Effect

Figure 1 summarizes the four equivalent circuits derived above. For the case where the body is connected to the source, set $\chi = 0$ in the equations.

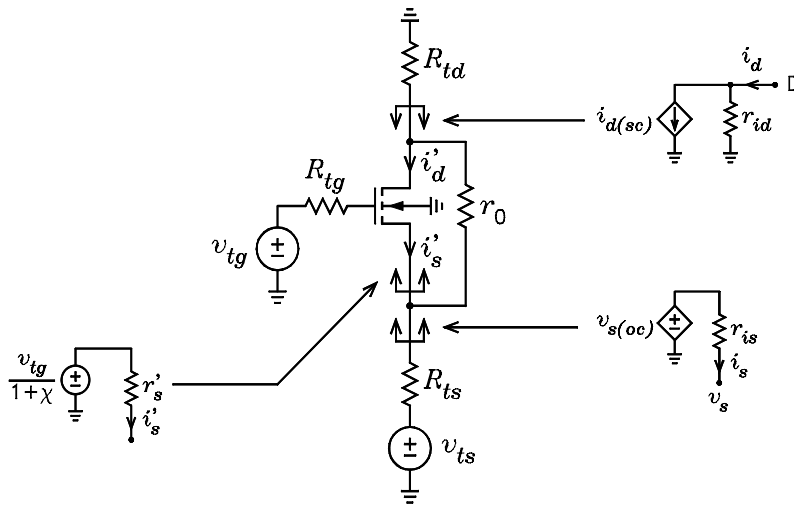


Figure 1: Summary of the small-signal equivalent circuits. Set $\chi = 0$ if the body is connected to the source.