

EE4086 Quiz 1

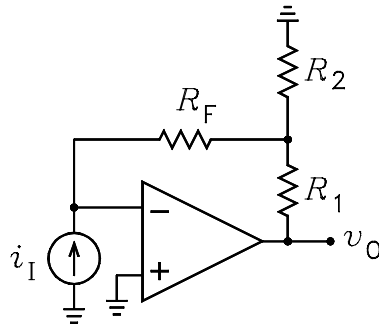
January 27, 1999

Professor Leach

Name _____

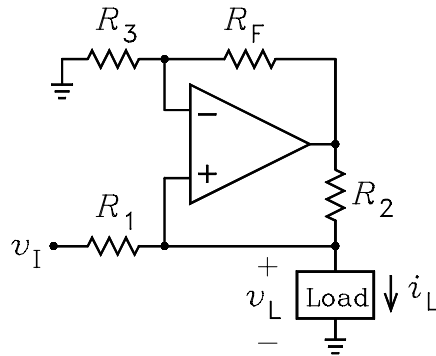
Instructions. Print your name in the space above and on all quiz work sheets. Place a box around all answers. Write the word “over” if you continue your work on another page.

1. Solve for v_O as a function of i_I .



2. XXX

- (a) Solve for the open-circuit load voltage, i.e. v_L with $i_L = 0$.
- (b) Solve for the short-circuit load current, i.e. i_L with $v_L = 0$.
- (c) Draw the Norton equivalent circuit seen by the load.



3. XXX

- (a) Solve for v_O as a function of v_1 and v_2 .
- (b) Specify the condition on the resistors for the circuit to be a true differential amplifier.

