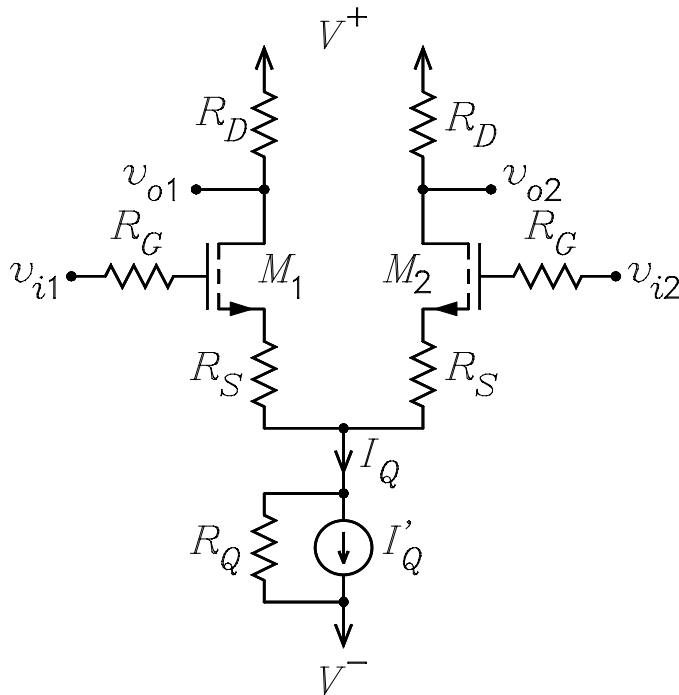


MOSFET Differential Amplifier Example

$$R_p(x,y) := \frac{x \cdot y}{x + y}$$

$$I_Q := 0.0015 \quad R_Q := 40000 \quad R_S := 50 \quad R_D := 18000 \quad V_p := 20 \quad V_n := -20$$

$$K := 0.0025 \quad V_{TO} := 1.2 \quad \lambda := 0.01$$



DC Bias Solution

$$I_D := \frac{I_Q}{2} \quad I_D = 7.5 \cdot 10^{-4} \quad V_{GS} := V_{TO} + \sqrt{\frac{I_D}{K}} \quad V_{GS} = 1.748$$

$$V_{DS} := V_p - I_D \cdot R_D + V_{GS} \quad V_{DS} = 8.248$$

$$\sqrt{\frac{I_D}{K}} = 0.548 \quad \text{This is equal to } V_{GS} - V_{TO} \text{ which is less than } V_{DS}. \text{ Thus active mode.}$$

Small-Signal AC Solution

Use the r_0 approximations.

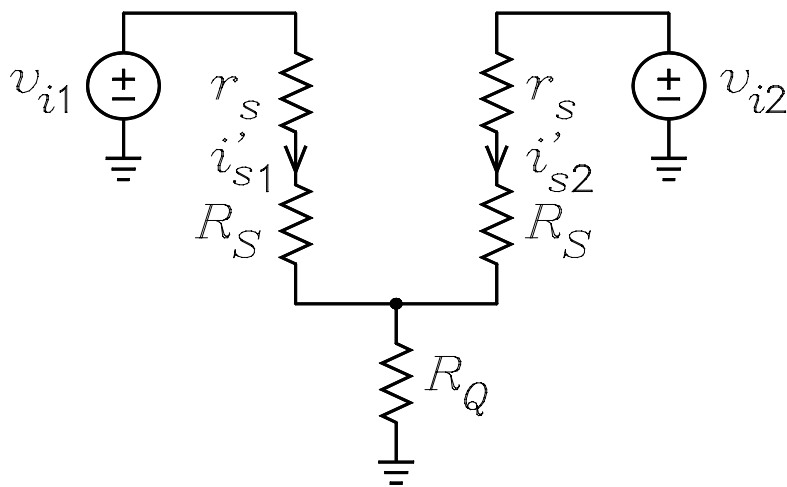
$$r_0 := \frac{\lambda^{-1} + V_{DS}}{I_D} \quad r_0 = 1.443 \cdot 10^5$$

$$g_m := 2 \cdot \sqrt{K \cdot I_D} \quad g_m = 2.739 \cdot 10^{-3} \quad r_s := \frac{1}{g_m} \quad r_s = 365.148$$

$$R_{ts} := R_S + R_p(R_Q, R_S + r_s) \quad R_{ts} = 460.884$$

$$r_{id} := r_0 \cdot \left(1 + \frac{R_{ts}}{r_s} \right) + R_{ts} \quad r_{id} = 3.27 \cdot 10^5$$

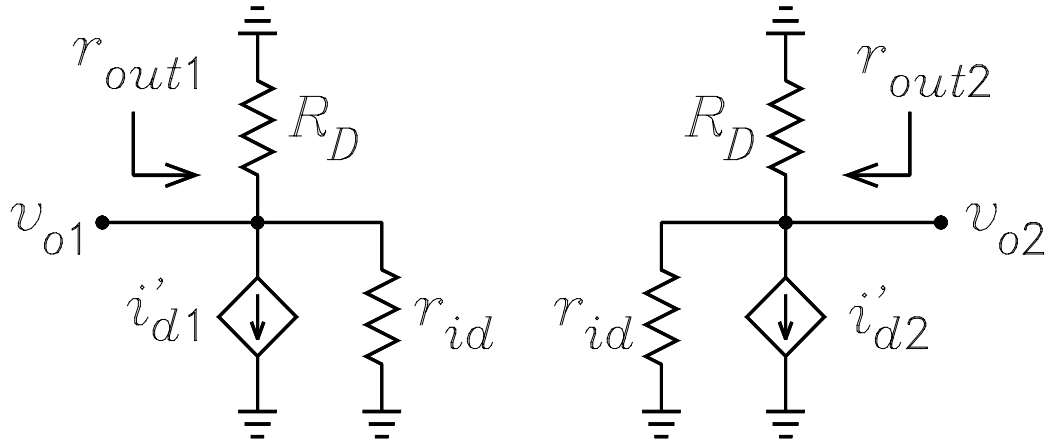
Emitter equivalent circuit.



$$A_{v11} = \frac{v_{o1}}{v_{i1}} \quad A_{v11} := \frac{1}{r_s + R_{ts}} \cdot R_p(R_D, r_{id}) \quad A_{v11} = -20.654$$

$$A_{v12} = \frac{v_{o2}}{v_{i1}} \quad A_{v12} := -A_{v11} \cdot \frac{R_Q}{R_Q + R_S + r_s} \quad A_{v12} = 20.442$$

Drain equivalent circuit



$$A_{v22} = \frac{v_{o2}}{v_{i2}} \quad A_{v22} := \frac{1}{r_s + R_{ts}} \cdot R_p(R_D, r_{id}) \quad A_{v22} = -20.654$$

$$A_{v21} = \frac{v_{o1}}{v_{i2}} \quad A_{v21} := -A_{v22} \cdot \frac{R_Q}{R_Q + R_S + r_s} \quad A_{v21} = 20.442$$

$$r_{out} := R_p(r_{id}, R_D) \quad r_{out} = 1.706 \cdot 10^4$$

For the v_{o1} output.

$$A_{v1d} := \frac{R_p(r_{id}, R_D)}{r_s + R_S + R_p(R_Q, r_s + R_S)} \cdot \frac{2 \cdot R_Q + r_s + R_S}{R_Q + r_s + R_S} \quad A_{v1d} = 41.096 \quad \text{differential gain}$$

$$A_{v1cm} := \frac{R_p(r_{id}, R_D)}{r_s + R_S + R_p(R_Q, r_s + R_S)} \cdot \frac{r_s + R_S}{R_Q + r_s + R_S} \quad A_{v1cm} = 0.212 \quad \text{common-mode gain}$$

$$CMRR_{dB} := 20 \cdot \log \left(\frac{A_{v1d}}{A_{v1cm}} \right) \quad CMRR_{dB} = 45.743 \quad \text{dB}$$