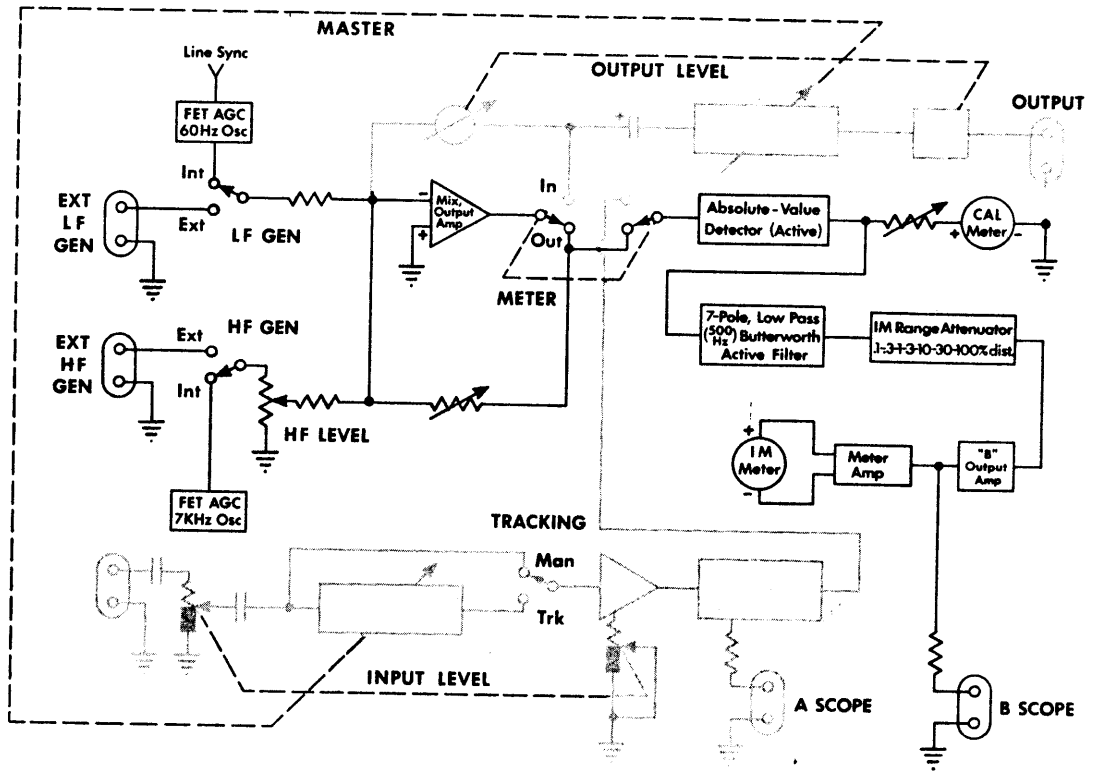
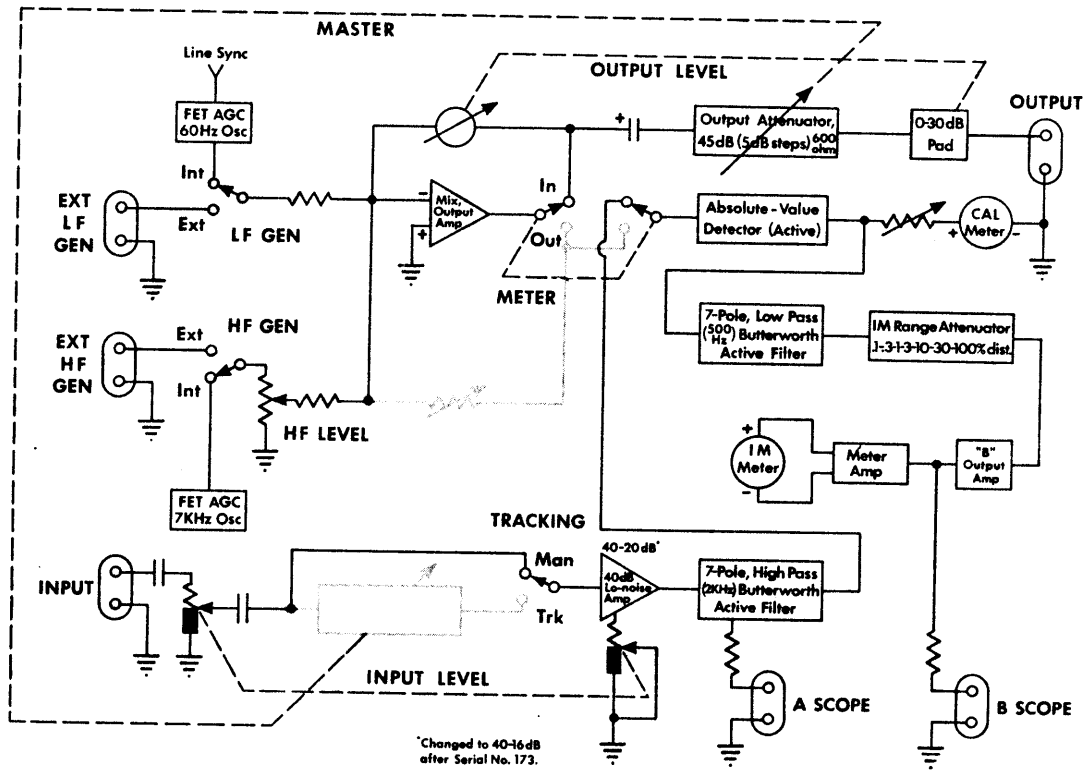


A. METER switch in OUTPUT position.



B. METER switch in IN position.

TRACKING switch in MANual position.



* Changed to 40-16dB after Serial No. 173.

FIG. 3-2 BLOCK DIAGRAMS