

Build A Low TIM Amplifier

W. Marshall Leach*

SOME OF THE causes and cures of transient intermodulation (TIM) distortion have been discussed in a previous article [1]. There, TIM distortion was defined as a transient overload phenomenon which results from the use of a very large negative feedback ratio with attendant heavy lag compensation. It was stated that TIM distortion can be eliminated by designing power amplifiers with a lower overall open-loop

gain, by designing each internal stage for maximum bandwidth and linearity, and by using lead compensation rather than lag compensation to insure stability. Stated in more practical terms, the amplifier should have an open-loop gain that is greater than the closed-loop gain by no more than about 25 dB, and the open-loop bandwidth should be at least 20,000 Hz, preferably greater. As a final step, the amplifier should have a low-pass filter

at its input to prevent inaudible ultrasonic or r.f. signals from accidentally overloading the input stages.

Since the use of less overall negative feedback can result in an increased distortion, it is important that the circuit be a fully complementary-symmetry design. In addition, each internal voltage gain stage should utilize local negative current feedback for maximum linearity. In this way, the open-loop distortion will be sufficiently low so that 25 dB of overall negative feedback will result in an acceptably low distortion level in the closed-loop amplifier.

Although there exist no present standards for the measurement of TIM distortion (in a private communication, Prof. Matti Otala of the University of Oulu in Finland has told the author that he is presently constructing a TIM measuring instrument), the susceptibility of an amplifier to it can be determined in some cases with an oscilloscope and a fast rise time square-wave generator. With a square-wave input signal, the signal at the output of each internal stage in the amplifier should ideally be a square wave with little or no overshoot or ringing. Unfortunately, however, in the majority of amplifiers, the internal stage which is most susceptible to TIM distortion is almost always a current gain stage rather than a voltage gain stage. Since an os-

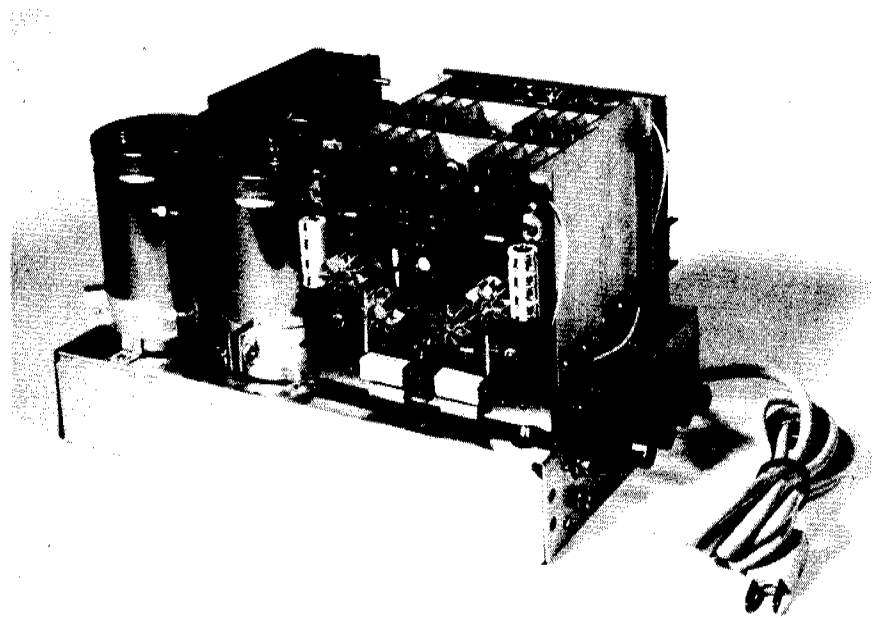


Fig. 1—Photograph of the author's chassis layout. The case on the power transformer has been changed so that it could be mounted vertically without the use of L-brackets.

*Assistant Professor, School of Electrical Engineering, Georgia Institute of Technology, Atlanta, Georgia 30332

cilloscope is a voltage measuring instrument, it is almost impossible to observe internal transient overshoot problems in such amplifiers without their modification or the use of expensive current probes.

In this article, a practical design example is presented which is based almost entirely on the design philosophy presented in the previous article. Since each internal stage in this amplifier utilizes local negative current feedback, the impedance levels in the amplifier are sufficiently high and the feedback ratio is sufficiently low so that the transient response of each internal stage can be measured easily with an oscilloscope. The circuit has been carefully designed so that transient inter-loop signal overload cannot occur, even with ultra-fast rise-time square-wave signals applied to the amplifier input. Since no internal stage is subject to transient overload problems, the amplifier is theoretically free of TIM distortion, and the results can be startlingly audible, especially with full-range electrostatic speakers.

When used within its power limitations, the amplifier can be used with the finest associated equipment. In several subjective listening tests, it has audibly equaled or surpassed any amplifier to which it has been compared. The audible differences are greatest during music which contains loud high-frequency material and percussive sounds. These differences are attributed to the controlled inter-loop transient response of the amplifier and the lack of TIM distortion in the reproduced music. These are principally a direct result of the fact that the open-loop frequency bandwidth is 38,000 Hz or approximately twice that of the audible spectrum.

The amplifier is a fully complementary-symmetry, direct-coupled design. It has a closed-loop frequency response which extends from approximately 0.5 Hz to 150,000 Hz. The response outside these limits has been intentionally rolled off. Otherwise, the small-signal frequency response would extend from d.c. to over 800,000 Hz. With the specified

power supply, the power output is 70 watts per channel, both channels driven simultaneously, or 84 watts from either channel driven alone. Both the IM distortion (SMPTE Standard) and the THD are less than 0.2% at 70 watts or less, where the THD is measured at any frequency between 20 Hz and 20,000 Hz. At lower power levels, the distortion is much lower, typically 0.04% or less. However, no ultra-low distortion levels are claimed since an unrealistically low THD specification can indicate the presence of TIM distortion in an amplifier [2]. With the feedback loop disconnected, the amplifier will produce 50 watts into an 8-ohm load with a THD of only 0.5% at 100 Hz. This low distortion is indicative of the inherent linearity of the open-loop amplifier. Thus, the addition of negative feedback has not been used to "clean up" problems of the basic design, but to improve it. As the power level is decreased, both the IM distortion and THD decrease monotonically. This indicates the absence of crossover distortion.

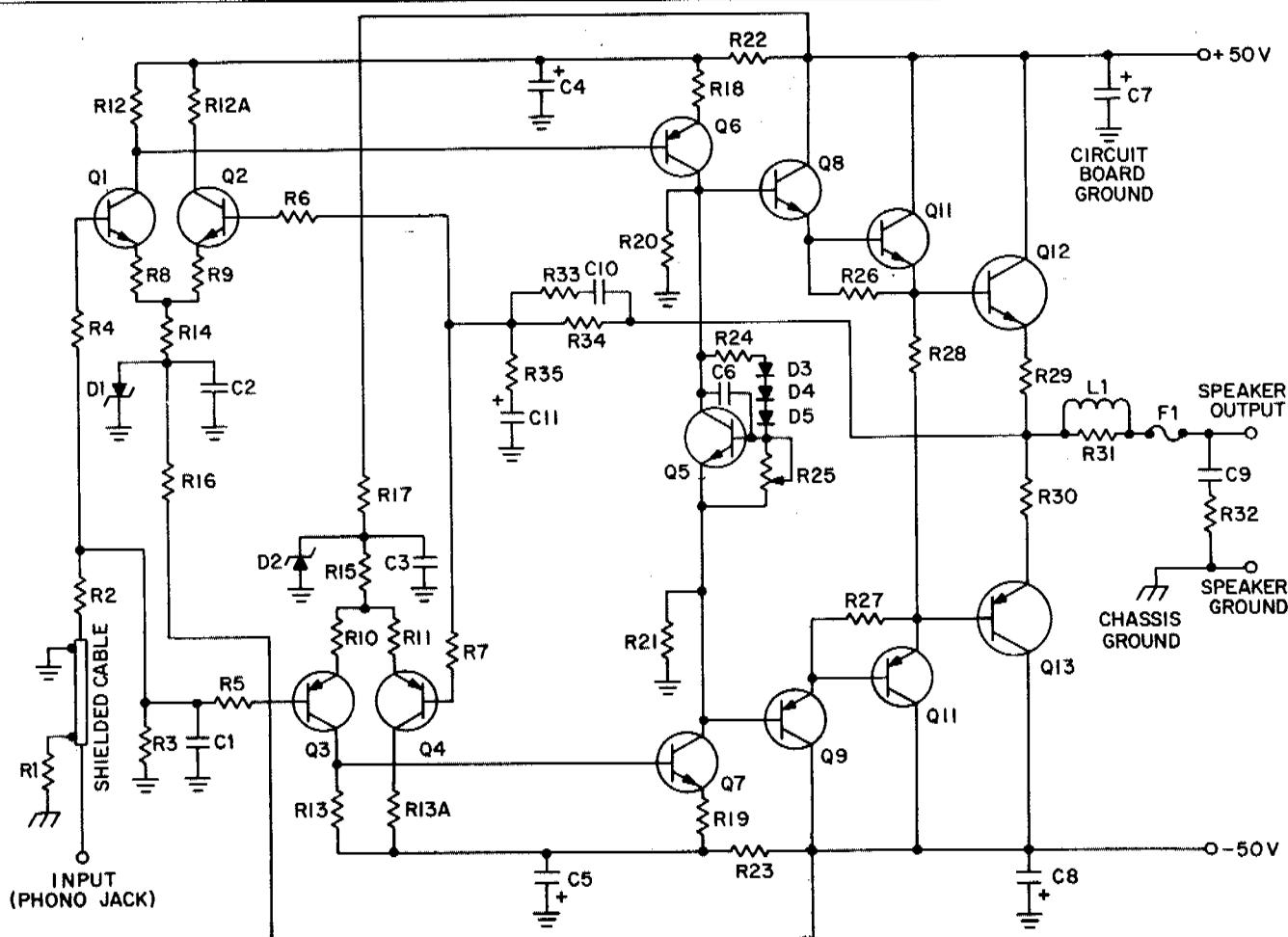


Fig. 2—Complete circuit diagram of one channel.

The damping factor is approximately 250 from 20 Hz to 20,000 Hz. Although this is only moderately high, it does not change appreciably with frequency in the audio band. In contrast, an amplifier with an inadequate open-loop bandwidth will exhibit a damping factor which can change appreciably with frequency, often by a factor as high as 100 or more. A damping factor which is relatively insensitive to frequency indicates that the output impedance of the amplifier is essentially constant and does not vary with frequency. Whether this can be audible is not known, however, it is felt that a frequency-sensitive output impedance can lead to transient problems with certain reactive loads, particularly full-range electrostatic speakers.

Description of the Circuit

The overall circuit diagram of a single channel of the amplifier is

shown in Fig. 2. With few exceptions, the basic configuration is rather conventional. However, each component has been selected specifically to prevent inter-loop transient problems from occurring. In addition, the circuit has been designed for a controlled open-loop gain and bandwidth that are essentially insensitive to frequency variations of the speaker load impedance. The amplifier as presented in Fig. 2 has no protection devices, such as current limiters or VI limiters, as it is felt that these devices represent a compromise in the ultimate sound quality which can be achieved. However, the circuit board has been designed to accommodate a VI limiter which will be described in a later article. For home use, this is not recommended unless the amplifier might be subjected to abuse.

The basic amplifier consists of two stages of voltage gain, three stages of current gain, a temperature-sensing bias regulator, and a feedback net-

work. With the exception of the output transistors, all transistors have been selected from the manufacturer recommended lists published in the current Motorola Semiconductor *Master Selector Guide*. Thus, they should be easily obtained by those who wish to construct the amplifier from scratch. The output transistors are relatively new units which are manufactured by Texas Instruments. They are rated at 200 watts and 30 amperes, and they have the necessary minimum breakdown voltage (BVCEO) of 100 volts.

The input stage is a conventional double-ended differential amplifier which has a gain of about 10 to 12. The complementary transistors Q1 through Q4 in this stage are specifically recommended by Motorola for low-level, low-noise audio frequency applications. The bias current in these transistors is set at 0.6 mA by the Zener diodes D1 and D2 and the emitter bias resistors R14 and R15. Resistors R8

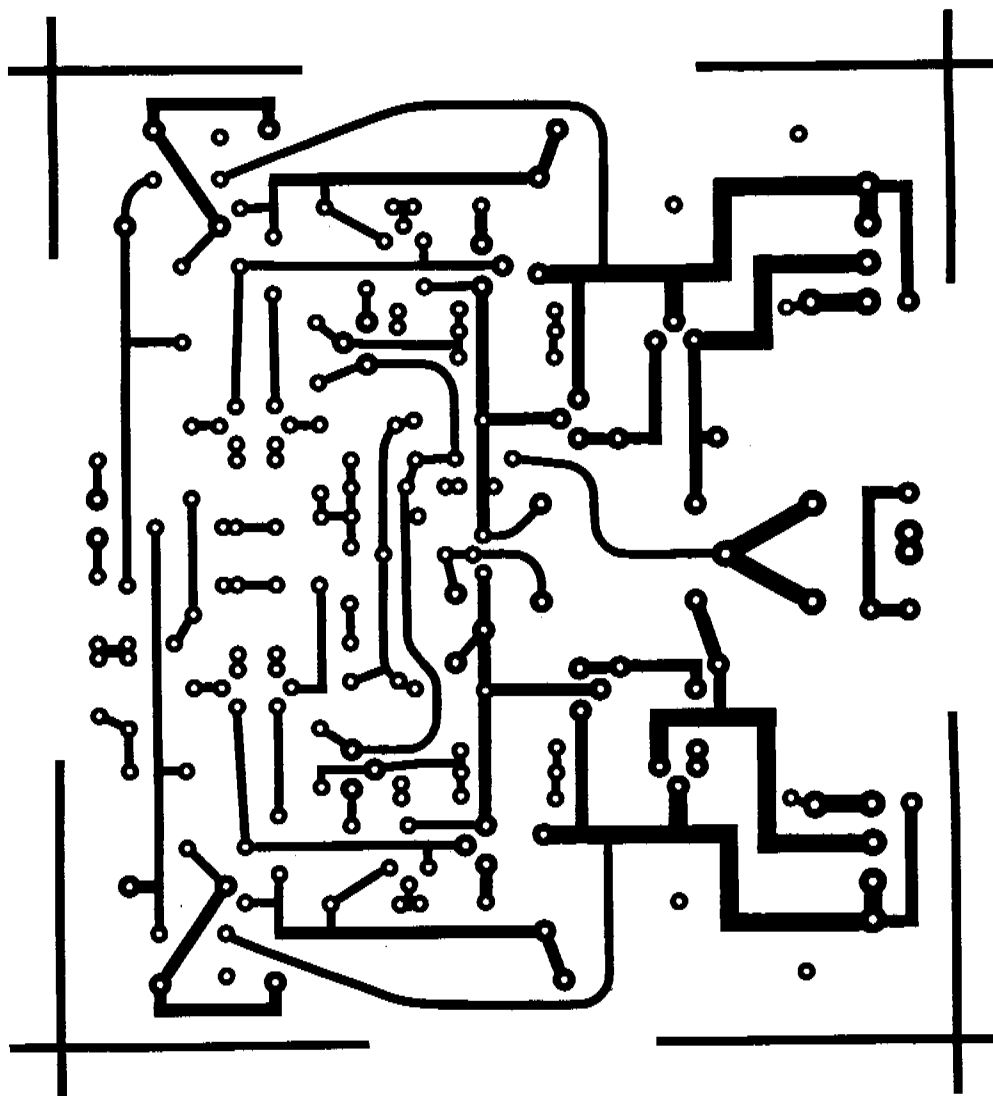


Fig. 3(a)—Circuit side of printed circuit board foil patterns for one channel.

through R11 provide local negative current feedback to linearize the gain characteristics and improve the bandwidth of the input stage. In addition, these resistors, in conjunction with the collector load resistors R12 and R13, set the gain of the input stage.

The input signal is coupled to the differential amplifiers through a low-pass filter which has a nominal 3-dB cutoff frequency of about 150 kHz. When used with a preamplifier with a 10-kOhm output impedance, the cutoff frequency of this filter will drop to about 50 kHz.

The differential amplifiers have two outputs which are electrically in phase but have a d.c. voltage of about 45 volts between them. These two outputs are connected to the second stage of voltage gain consisting of transistors Q6 and Q7. These transistors are biased at about 4.3 mA, and they provide a push-pull voltage gain of about 45. The gain of this stage is set by the two emitter resistors R18

and R19 and the two collector load resistors R20 and R21. In addition, resistors R18 and R19 provide heavy local negative current feedback for linearity and wide bandwidth.

The second voltage gain stage has two outputs which are electrically in phase but are separated by a d.c. voltage of about 3.45 volts. This d.c. voltage is regulated by transistor Q5 which is connected as a constant voltage regulator. The purpose of Q5 is to provide a constant quiescent bias current in the output transistors so that they operate in a true class-AB mode. Since the quiescent base-to-emitter junction voltage in the output transistors decreases with temperature, it is necessary for a voltage across Q5 to decrease by the same amount if the bias current in the output transistors is to remain constant as they warm up under load. The three diodes in the base bias network for Q5 provide the necessary thermal feedback. They are mounted on the heat sinks with the

output transistors so that they will both be in thermal equilibrium. The nominal voltage across Q5 is given by the equation

$$V = 0.6 \left(1 + \frac{R24}{R25} \right) ; 1.8 \quad (1)$$

This voltage will drop by about 6 mV per degree Celsius as the output transistors warm up under load. This provides essentially perfect thermal regulation of the bias current in the output transistors and prevents thermal runaway. From an audible point of view, the bias current is not over-compensated for absolute protection from thermal runaway, for this can lead to the production of crossover distortion in the output stage as the amplifier warms up under load.

Transistors Q8 through Q11 are connected as a complementary Darlington driver stage. Although Darlington transistors are available, they cannot match the bandwidth and

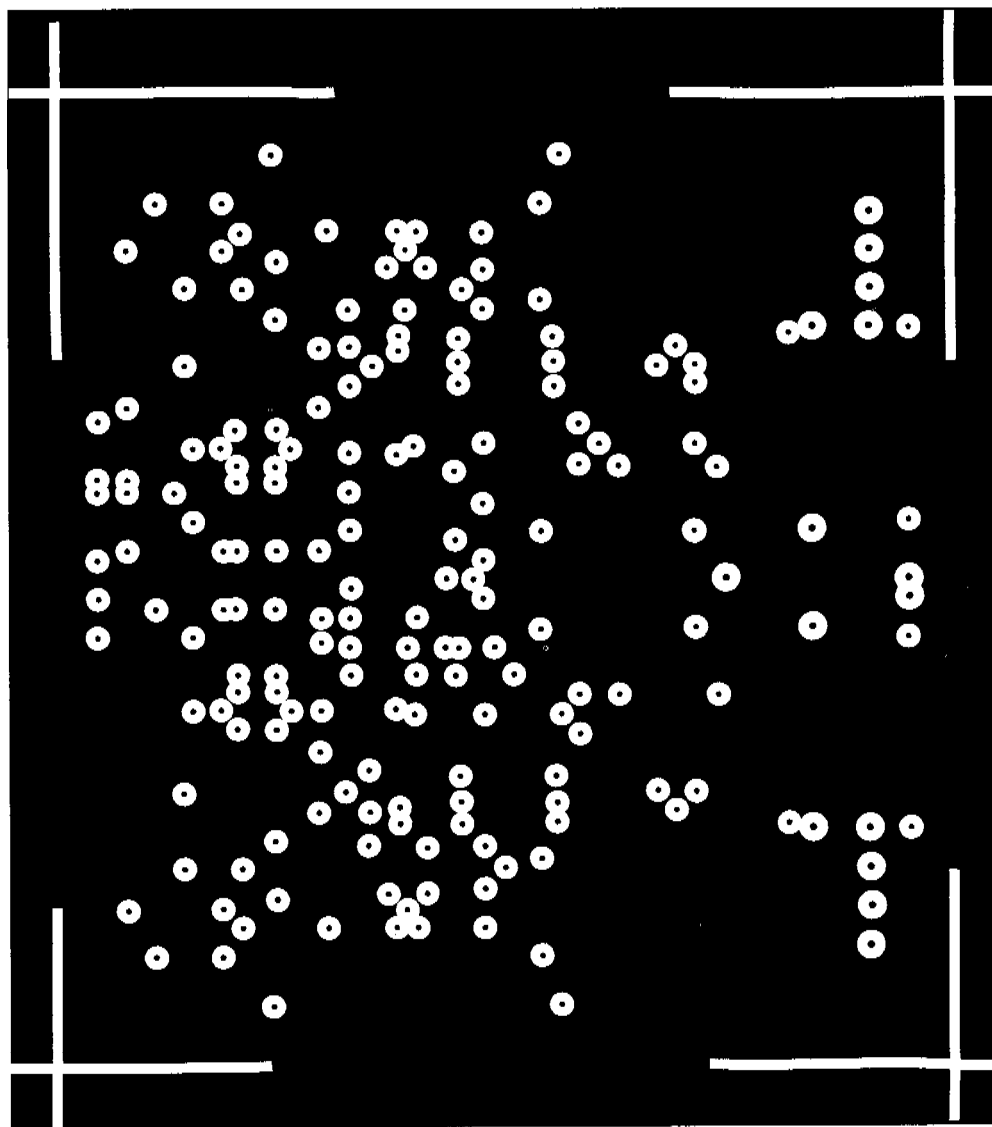


Fig. 3(b)—Ground plane side of printed circuit board foil patterns for one channel. This layout contains the VI limiter circuit which will be described later.

thermal stability of the discrete transistors used in the Darlington configuration. All four of the driver transistors are forced to operate in a true class-A mode since their emitter outputs are not connected directly to the speaker output. Since the driver transistors never cut off under load, the driving point impedances seen by the bases of the output transistors remains constant as the output transistors turn off and on in the class-AB mode. Thus, the driving point impedance remains very low during each half cycle of the output voltage swing. This low impedance aids in draining out the charge stored in the base region of the output transistors when they turn off, thus speeding up their turn-off time and improving the open-loop bandwidth of the amplifier.

The class-A driver stage is similar to one described by Locanthi [3] in what the author considers one of the true classic transistor amplifier designs. This is the JBL "T circuit" which was introduced in 1966. To the author's knowledge, this amplifier is no longer being manufactured. A simplified two-transistor version of the "T circuit" driver is used in certain amplifiers currently marked by SAE and the Great American Sound Co.

The complementary output transistors are connected in the emitter follower or common collector configuration for maximum bandwidth. They operate in a class-AB mode for minimum distortion and minimum power dissipation. In the class-AB mode, both transistors are conducting

current during no or very small signal inputs. However, as the input signal level increases, one transistor will progressively conduct more and the other progressively less during any half-cycle of the signal until the latter transistor turns off. Thermal stability has traditionally been a problem associated with class-AB output stages. However, this problem is completely eliminated in this circuit by the thermally compensated bias regulator. The regulator will maintain a constant bias current in the output transistors as the heat sinks warm up from no load to their maximum temperature. This occurs at approximately 40% of the maximum output power. The 0.22-ohm resistors in series with the emitters of the output transistors serve two purposes. First, they pro-

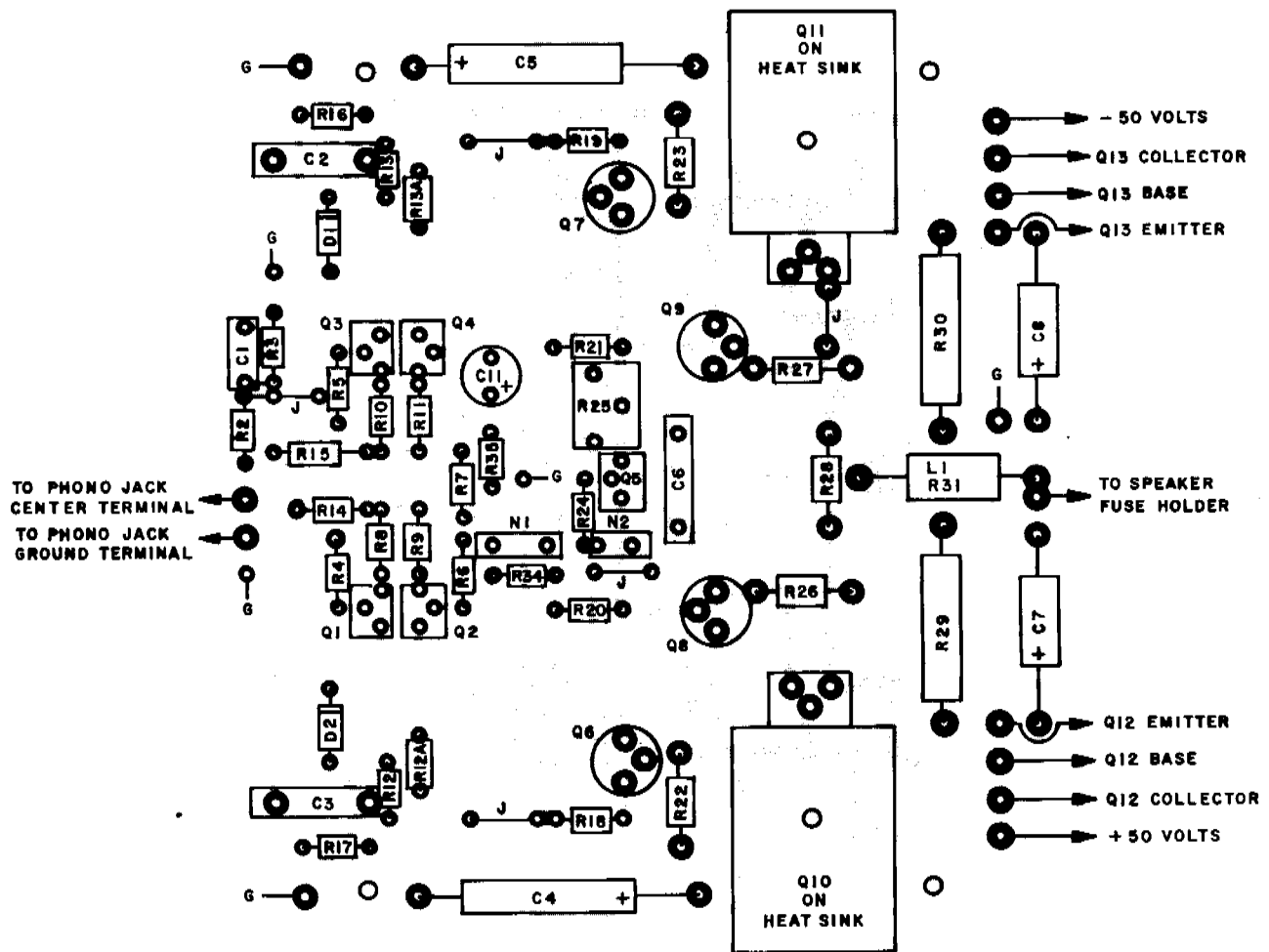


Fig. 4—Circuit board parts layout for one channel. View is from component side of board.

- G - GROUND PLANE CONNECTION
- J - JUMPER
- N1 - R33 AND C10 IN SERIES
- N2 - D3, D4, AND D5 CONNECTIONS

vide local negative current feedback for linearity. Second, they protect the output transistors from an accidental short circuit across the speaker output terminals. For short circuit protection, these resistors must be fused resistors such as those manufactured by Workman.

The feedback network consists of resistors R33, R34, and R35, and ca-

pacitors C10 and C11. For all audible frequencies, C11 is a short circuit and C10 is an open circuit. Thus, the amplifier gain is given by

$$G = 1 + \frac{R34}{R35} \quad (2)$$

or 26 dB. Below 1 Hz, C11 becomes an open circuit. This reduces the d.c. gain of the amplifier to unity to insure d.c. stability. Between 150 kHz and 800

kHz, C10 becomes a short circuit, thus increasing the high-frequency feedback ratio. This lead compensates the amplifier by increasing the high-frequency loop gain. By performing the lead compensation in the feedback network, optimum inter-loop transient response is obtained and, simultaneously, the closed-loop frequency response is rolled off.

Construction

Although straightforward, construction of the amplifier requires care if it is to be done properly. The construction details are broken into two parts. In this section, the circuit board/heat sink assembly is discussed; in the following section, the chassis construction details are presented. Before construction is begun, all parts should be assembled so that the layout can be modified to accommodate any parts which may have different dimensions from those used by the author. The printed circuit board is a double-clad board, one side of which is used as a ground plane for the circuit. Ground-plane construction is standard practice in r.f. amplifiers, and it is highly recommended for this amplifier. The front and back printed circuit board layouts are shown in Fig. 3. The parts locations on the boards are shown in Fig. 4.

Care must be taken when laying out the board to insure that the layouts on both sides align. This is relatively simple since the only areas which must be etched on the ground plane side are circular pads through which the component mounting holes are drilled. First, prepare a negative for the circuit side of the board using standard PC layout techniques. Second, tape a clear sheet of mylar over the component side of this negative. Then place 0.125-inch adhesive circular PC layout pads on the mylar, carefully aligning one over each of the solder pad locations on the negative. There are 12 solder pad locations on each board which should not be covered with the circular pads. Six are used for connections from the circuit side of the board to the ground-plane side. The others locate the mounting screws for transistors Q10 and Q11 and the four mounting screws for attaching the PC board to the heat sink. After the mylar sheet is prepared, it can be used "as is" for exposure of the ground plane side of the board. However, it is preferable to make a photographic positive (i.e. double negative) of the layout to expose the board with.

To expose the board, first tape the two negatives together along two op-

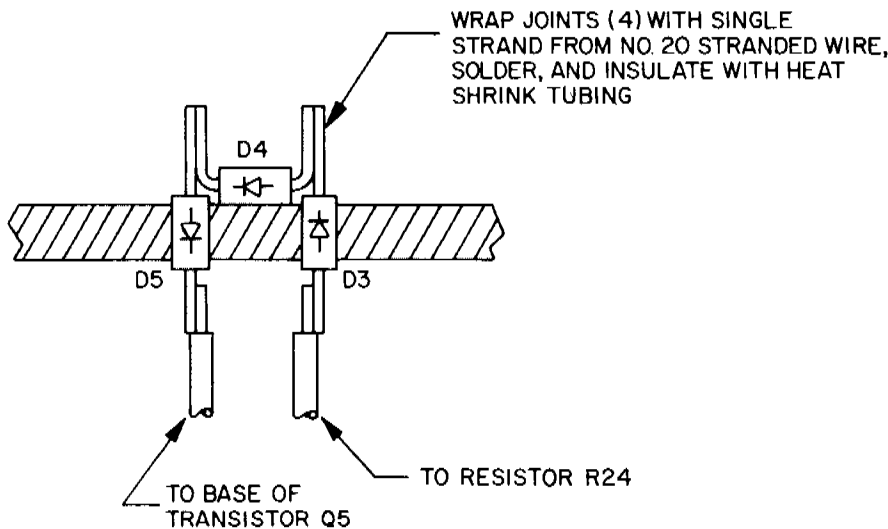


Fig. 5—Diagram showing proper mounting of the temperature compensating bias diodes on the main heat sinks.

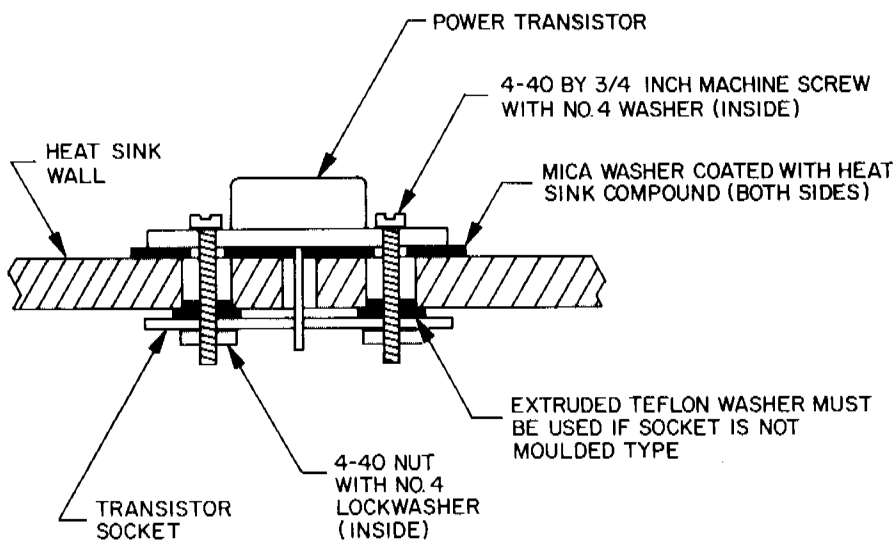


Fig. 6—Diagram showing proper mounting for transistors Q12 and Q13 on the main heat sinks.

posite edges after the two-sided layout has been carefully aligned. Be sure that the circuit side of each layout is on the *outside*. Otherwise, a mirror image circuit will result. Under dim yellow light, insert a double-clad, photosensitized blank board between the negatives. Next tape the negatives to the board along two opposite edges on both sides of the board. The negatives should now be properly aligned on the board, and it can be exposed one side at a time under ultraviolet light. If the board is developed in a flat pan, care should be taken not to scratch the fragile photoresist on the bottom surface of the board. The best rule to follow is not to rock the developing tray enough to cause the board to slide, otherwise the photo-resist will be scratched. A spray developer or vertical developing tank will eliminate these problems. After the board has been developed, it can

be etched and cut to size along the crossed lines which locate its four corners. All component mounting holes should next be drilled to the proper diameter. Too large a drill bit will lift the copper solder pads from the board, so care should be exercised. The four mounting screw holes for the board and the two mounting screw holes for transistors Q10 and Q11 should be drilled for a 4-40 screw.

The next step is to solder the six ground connections on each board. To do this, bend a 5/8-inch length of No. 20 solid wire into a 1/8 by 1/2-inch L-shape. Insert the wire through a ground hole with the 1/8-inch side against the ground plane. Solder the wire to the ground plane with a 100-watt soldering gun. To prevent the solder from running, do not touch the ground plane with the gun tip, but hold it against the wire and parallel to the ground plane. While applying

heat, feed solder to the tip until it fills the gap between the tip and ground plane, then lift the gun from the board. The resulting solder joint should then be in the form of a circular pad which firmly bonds the wire to the ground plane. The ground wires on the reverse side of the board can now be soldered and clipped.

After the ground wires are soldered, the boards should be thoroughly cleaned and the ground-plane side sprayed with a good brand of clear laquer to prevent corrosion. Before spray painting the boards, cover the four screw mounting holes which are used to attach the boards to the heat sinks with 3/8-inch circular adhesive pads to prevent the paint from insulating the areas where the mounting screw heads make electrical contact to the ground plane. After the paint is dry, the circuit side of the boards can be plated to prevent corrosion if desired. If a water-soluble tin-plate solution is used, the temperature of the solution should not be so high as to cause the painted ground-plane surface to peel.

The next step is to mount and solder all components to the boards using Fig. 4 as a reference. Care should be taken to insure that all transistors, diodes, and electrolytic capacitors are mounted exactly as shown in the figure and that no component leads come in contact with the ground plane. It is necessary to use mica washers and heat sink compound between transistors Q10 and Q11 and their heat sinks. These transistors should be secured to the board with 4-40 by 1/2-inch screws, lockwashers, and nuts. The screws should be tightened only enough to engage the lockwashers, otherwise the transistors may be damaged. The parallel combination of R31 and L1 is formed by tightly winding a length of insulated No. 20 solid copper wire around a 2.7-ohm, 2-watt resistor and soldering it to the resistor leads. All components should be mounted flush with the board except transistors Q1 through Q9, R29, and R30. These should be mounted 1/4 inch above the board. A TO-5 heat sink should be installed on each of transistors Q6 through Q9.

The next step is to prepare the temperature compensating diode assemblies. These must be mounted in holes drilled in the heat sinks between the power transistors as shown in Fig. 5. The holes should be just large enough for the diodes to fit as snugly as possible. The diodes can be any general purpose silicon rectifier diodes with an epoxy (not glass or metal) case. Be-

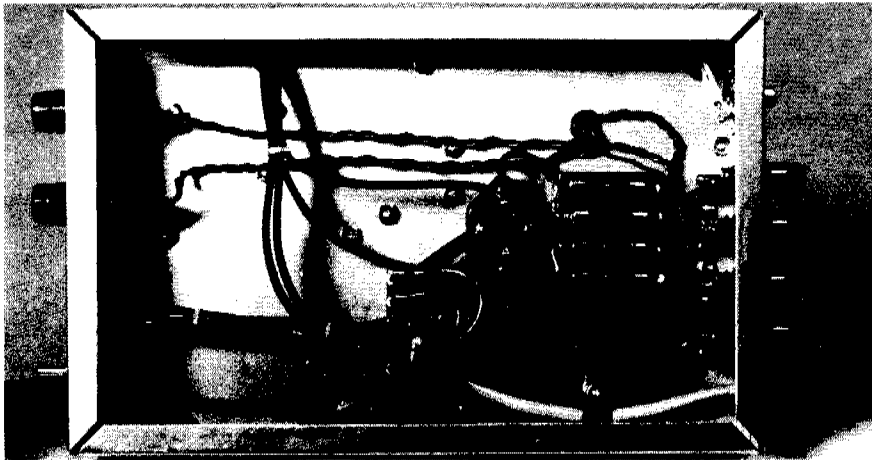


Fig. 7—Photograph of the underside of the chassis.

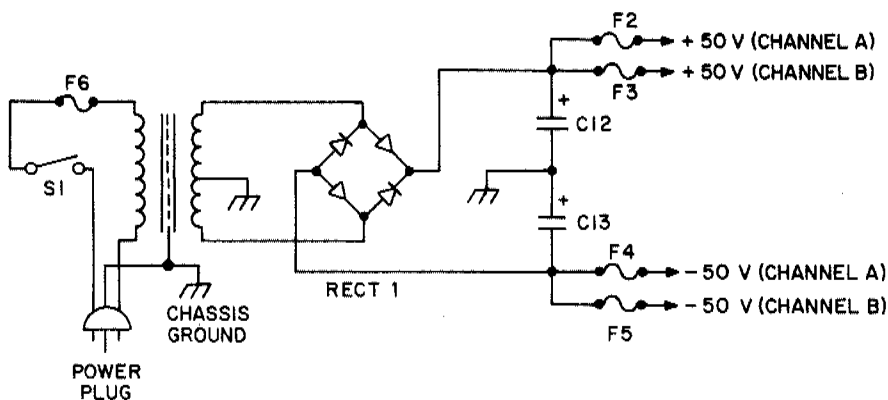


Fig. 8—Circuit diagram of the power supply.

fore soldering the diode bias assemblies together, install the diodes in the holes in the heat sinks, as shown in Fig. 5, and wrap a single strand of wire from No. 20 stranded wire around the leads to hold them together. The diode bias assembly can now be soldered together in place. It is very important to insulate all solder junctions with heat shrink tubing to prevent them from coming in contact with the grounded heat sinks. The leads from the diodes to the circuit board should be 6 inches long, and they should be twisted tightly together before they are soldered to the board from its circuit side. These leads should be No. 22 stranded wire, and they should be color coded to indicate the cathode and anode sides of the diode assembly.

Each power transistor should be installed on the heat sinks using a TO-3 insulating heat sink washer, a TO-3 transistor socket, and two firmly tightened 4-40 by 3/4-inch screws with lock washers and nuts. If mica insulating washers are used, both sides should be liberally coated with heat sink compound. The newer and more efficient silicon rubber washers do not require a heat sink compound, and they are recommended. If the transistor sockets are not of the molded type, it is very important to insulate the 4-40 screws from the heat sinks with extruded Teflon washers. Remember that the case of the output transistors and their mounting screws are at the full power supply voltage. Therefore, extreme care should be taken to insulate them properly from the heat sinks. The proper mounting of the output transistors is illustrated in Fig. 6. After the sockets are installed, solder a 6-inch length of No. 20 stranded wire to each of the three terminals on each socket. These can now be soldered to the correct points on the circuit side of the board. Before mounting the circuit boards to

the heat sinks, solder a 16-inch length of No. 20 stranded wire to the speaker output lead and an 8-inch length of No. 20 stranded wire to the +50 volt power supply input and the -50 volt power supply input on each circuit board. These wires should all connect from the circuit side of the board, as do the leads from the diode bias assemblies and output transistors.

The circuit boards can now be mounted to the flanged edges of the heat sinks with four 4-40 by 3/4-inch screws, four nuts, and eight lock washers (one under each screw head and one under each nut). A 1/2-inch insulating sleeve must be placed on each mounting screw between the circuit board and the heat sink to provide the necessary clearance between the two. The mounting screws should be tightened sufficiently to firmly engage the lock washers, for it is through them that the ground connection for the circuit boards is made.

The Chassis

Figure 1 shows the amplifier constructed on a 7 x 11 x 2-inch chassis. The top of the chassis contains the two circuit board heat sink assemblies, the power transformer, and the two filter capacitors. The rear panel contains the four speaker output terminals, the phono input jacks, and the feedthrough hole for the a.c. power cord. Although not visible in the figure, the front panel contains the a.c. power switch and the two speaker fuse holders. The underside of the chassis contains the bridge rectifier, a five-lug terminal strip, the a.c. power-line fuse clip, and four fuse clips for fusing the d.c. power supply leads to each circuit board. The layout of these components is shown in Fig. 7.

The first step in assembling the chassis is to drill all chassis mounting holes and mount all components with the exception of the circuit board/heat sink assemblies. As shown

in Fig. 1, the two heat sinks are mounted 1/2 inch above the chassis on L-brackets which can be fabricated from 1/16-inch sheet aluminum. The heat sink fins are interleaved to conserve space. In addition, this creates a chimney effect to aid in the circulation of air through the heat sink assemblies. For adequate cooling, the heat sinks should not be mounted closer than 1/2 inch to the chassis. In addition, the outer two edges of the heat sinks should not be closer than 1-1/4 inches from the edge of the chassis. This will allow sufficient room to mount the circuit boards on the heat sinks without their components overhanging the edge of the chassis.

A total of four 3/8-inch holes should be drilled in the top of the chassis, and rubber grommets installed in them. One hole adjacent to the filter capacitors carries the four leads from the power supply to these capacitors. One hole directly above the phono input jacks carries the two signal input leads from the jacks to the circuit boards. One hole centered 1 inch behind each circuit board carries the two power supply leads and speaker output lead for that respective channel.

The power supply circuit shown in Fig. 8 uses a single ground point for all high current leads to minimize hum and ground-loop problems. The ground point used in Fig. 8 is the center ground lug of the terminal strip. To this point are connected the power transformer secondary center-tap lead, the two filter capacitor ground leads, and the two speaker ground leads. To further minimize ground loop problems, the ground terminal of each phono input jack is isolated from chassis ground by a 2.7-ohm resistor. Although insulated phono jacks are available, the phono jacks and 2.7-ohm resistors for the unit in Fig. 1 are mounted on a small printed circuit board behind the rear panel of the chassis. Ground connection to the circuit board is made through two of the 4-40 by 1/4-inch mounting screws, lockwashers, and nuts.

After drilling all mounting holes in the chassis and installing grommets in the appropriate ones, the power transformer, filter capacitors, phono jacks, speaker output connectors, a.c. power switch, speaker fuse holders, power supply fuse clips, bridge rectifier, and terminal strip should be mounted on the chassis. Lock washers should be used under all nuts, and the mounting screws should be tightened securely. The chassis is wired with No. 18 and No. 20 stranded wire. Red and

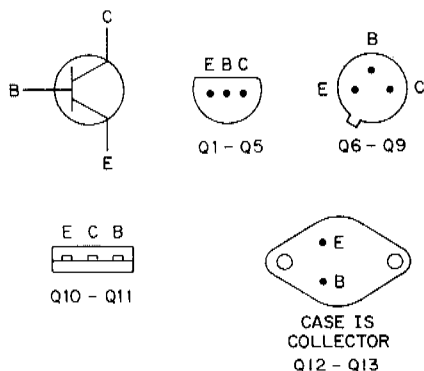


Fig. 9—Transistor lead connections.

black color-coded leads are recommended to distinguish between the ground and different polarity leads. No. 18 wire should be used for all leads to and from the filter capacitors and bridge rectifier. No. 20 wire should be used for all power supply leads from the fuse clips to the circuit boards and for all speaker leads.

After the power supply has been wired, the circuit board/heat sink assemblies can be mounted on the chassis and wired to the power supply fuse clips and the speaker fuse holders. The No. 20 wires for these connections should have already been soldered to the circuit boards. After this is done, the speaker output connectors can be wired to the speaker fuse holders and the chassis ground connection on the terminal strip. No. 20 stranded wire should be used for these connections. To make the wiring neater, the two power supply leads to each circuit board should be twisted together before soldering them in place, as should the two wires to and from each speaker fuse holder and the two speaker ground wires.

Across the speaker output terminals of each channel, a 10-ohm, 2-watt resistor in series with a 0.1 microfarad capacitor should be soldered. These should be connected and insulated so that it is impossible for the solder junction between the resistor and capacitor to accidentally come in contact with a hot terminal under the chassis.

Cable ties are recommended to bind the transformer and filter capacitor leads as shown in Fig. 7. In addition, an insulated strain-relief feedthrough or a grommet and insulated strain-relief clamp should be used to prevent the a.c. power cord from being accidentally pulled from the amplifier. This will also insulate the power cord jacket from the sharp metal edges of its feedthrough hole.

The final step is to connect the

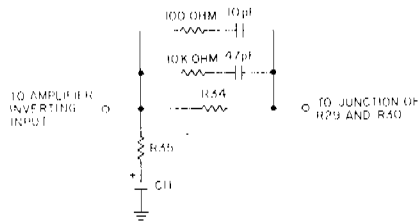


Fig. 10—Circuit diagram of the alternate feedback network.

shielded phono cables from the phono input jacks to the circuit boards. These cables should not be routed near any speaker or power supply lead, otherwise oscillations could occur due to mutual coupling between the leads. The input cables should be routed through the chassis hole above the phono jacks, up the outer edge of the circuit board/heat sink assemblies as shown in Fig. 1, and soldered to the rear of the circuit boards. After this step is completed, all wires connecting to the rear of the boards should be checked to see that they do not make contact with any component on the ground plane side of the board. If any of these wires protrude through the boards to the ground plane side, they should be clipped flush with the board.

Initial Turn-On and Adjustments

Before any attempt is made to apply power to the amplifier, it is strongly recommended that the entire unit be checked very carefully for errors. All solder joints, transistor and diode lead connections, and polarity of electrolytic capacitors should be checked especially. If everything appears to be correct, the initial tests can be performed. First, install the a.c. power fuse. Do not install the four d.c. fuses to the circuit boards at this point. Plug the a.c. power cord into a Variac auto-transformer, turn the amplifier on, and slowly increase the a.c. voltage with the Variac while monitoring the + and - d.c. outputs of the bridge rectifier. The two voltages should have equal magnitudes, and the polarities should be correct. If both filter capacitors are polarized correctly, the a.c. voltage can be increased to 120 volts. (Do not increase the Variac above that value.) The positive and negative d.c. power supplies should then read within one or two volts of 50 volts. The a.c. power can now be removed and the filter capacitors discharged by holding a 1-kOhm resistor across the terminals of each until the voltage falls to zero.

In the next test, d.c. power is applied to each circuit board individually. Before proceeding, adjust potentiometer R25 for maximum resistance, i.e. 5 kOhm. This should be veri-

fied with an ohmmeter, otherwise the power transistors may be damaged in the next test. Install the two fuses for the d.c. power to one channel. Connect a 1-kHz signal of amplitude 1 volt rms to the input of that channel and an oscilloscope to its speaker terminals. Do not connect any other load to the amplifier. With the a.c. power switch on, slowly increase the a.c. voltage with the Variac until the output signal is observed. The signal will initially appear as a clipped sine wave. There should be no d.c. voltage on the speaker terminals. The a.c. voltage should not be increased by more than about 10 volts at a time without feeling each transistor in that channel including the output transistors for overheating. If any transistor becomes hot to the touch, immediately remove the a.c. power, for the circuit contains a wiring error or has a defective component.

If no transistor overheats, the a.c. voltage can be increased to 120 volts. The sine wave output should no longer appear clipped, and its amplitude should be 20 volts rms or about 56 volts peak-to-peak. The a.c. voltage can be reduced to zero and the other channel tested similarly after first discharging the filter capacitors with a 1-kOhm resistor.

If the preceding tests are successful, the bias potentiometers (R25) can be adjusted next. With no input signal or load on either channel, turn the amplifier on and decrease R25 until the voltage across Q5 is 3.45 volts on each channel. A d.c. voltmeter with a floating ground should be used for this adjustment. The voltmeter leads can be clipped to the heatsinks on transistors Q6 and Q7, for the collectors of these transistors are connected across Q5. While adjusting R25 for a 3.45 volt reading, alternately feel each output transistor in that channel for overheating. If either output transistor begins to warm up, that channel is defective or the d.c. voltmeter is not calibrated correctly. When R25 is properly adjusted, the heat sinks on which the output transistors are mounted will be barely warm to the touch after the amplifier has idled for approximately 30 minutes.

An alternative adjustment of R25

Table 1—Parts List for power supply and one channel


All resistors are 1/4 watt, 5% unless otherwise specified.

- R1—2.7 ohm
- R2—2.7 kOhm
- R3—33 kOhm
- R4, R5, R6, R7—1 kOhm
- R8, R9, R10, R11—100 ohm
- R12, R13, R12A, R13A, R16, R17—3.9 kOhm

(Continued On Next Page)

can be made if an intermodulation distortion analyzer is available. (A harmonic distortion analyzer will not work for this adjustment.) Connect an 8-ohm, non-inductive load to the speaker terminals of one channel. Adjust the IM test signal level for a 20-volt peak-to-peak output signal across the 8-ohm load as observed on an oscilloscope. Slowly decrease R25 while observing the IM level until the percentage of distortion dips to a minimum. A further decrease in R25 will cause the percentage of distortion to increase slightly and then dip again. The amplifier will be over biased in this condition, and the output transistors could be damaged. Therefore, extreme care should be exercised while making this adjustment. With the IM test signal reduced to zero, the power transistors should cool off until the heat sinks are just barely warm. If they stay hot after this adjustment, R25 is not adjusted correctly.

Alternate Feedback Network

The power amplifier as described in the article has been designed under the assumption that the input signal is bandlimited to 40 kHz, i.e. it has no frequency components outside the open-loop bandwidth. Signal frequencies above 40 kHz can lead to transient overload of the input stages, and it would be desirable if the amplifier did not respond to them. For those who can psychologically accept an amplifier which is 3 dB down at 50 kHz, an alternate feedback network is presented in Fig. 10. This network converts the amplifier into an active filter above 50 kHz. With it, the input stages are absolutely protected from transient overload and there is no audible degradation of the frequency response. This alternate feedback network is strongly recommended. The additional components it uses can easily be soldered to the rear of the circuit board. When doing this, care should be taken to prevent them from coming too close to the wiring leads which connect to the collectors of transistors Q6 and Q7. 

References

1. W. M. Leach, "Transient IM Distortion in Power Amplifiers," *Audio*, Vol. 59, No. 2, pp. 34-41, February, 1975.
2. M. Ojala and E. Leinonen, "Extension of the Theory of Transient Intermodulation Distortion," to be published.
3. B. N. Locanthi, "Operational Amplifier Circuit for Hi-Fi," *Electronics World*, pp. 39-41, January, 1967.

- R14, R15, R20, R21—18 kOhm
 - R18, R19—390 ohm
 - R22, R23—100 ohm, 1/2 watt
 - R24—3.3 kOhm
 - R25—5 kOhm trimmer potentiometer, linear taper
 - R26, R27—150 ohm, 1/2 watt
 - R28—68 ohm, 1/2 watt
 - R29, R30—0.22 ohm, 5 watt fused
 - R31—2.7 ohm, 2 watt
 - R32—10 ohm, 2 watt
 - R33—100 Ohm
 - R34—33 kOhm
 - R35—1.6 kOhm
 - C1—390 pF, 100 volt, ceramic capacitor
 - C2, C3, C6, C9—0.1 μ F, 100 volt ceramic capacitor
 - C4, C5—100 μ F, 50 volt, electrolytic capacitor
 - C7, C8—10 μ F, 50 volt, electrolytic capacitor
 - C10—5 pF, 100 volt, ceramic capacitor
 - C11—200 to 250 μ F, 10 volt, electrolytic capacitor
 - C12, C13—9000 μ F, 50 volt, electrolytic capacitor
 - L1—See text
 - D1, D2—1N970A Zener diode, 24 volt.
 - D3, D4, D5—1N4002 diode
 - Rect 1—MDA802 bridge rectifier (Motorola)
 - Q1, Q2, Q5—2N5210 transistor (Motorola)
 - Q3, Q4—2N5087 transistor (Motorola)
 - Q6, Q9—2N5679 transistor (Motorola)
 - Q7, Q8—2N5681 transistor (Motorola)
 - Q10—MJE243 transistor (Motorola)
 - Q11—MJE253 transistor (Motorola)
 - Q12—2N6328 transistor (Texas Instruments) or MJ802 (Motorola)
 - Q13—2N6331 transistor (Texas Instruments) or MJ4502 (Motorola)
 - T1—Triad transformer R-82B, 70 volts CT, 3.5 amperes (Newark No. 4F451)
 - F1—Littlefuse 361-3.00 Instrument Fuse (Case 8AG)
 - F2, F3, F4, F5—3 ampere fuse, fast blow (Case 3AG)
 - F6—3 ampere fuse, slow blow (Case 3AG)
 - S1—SPST 6 ampere switch
 - Miscellaneous (Includes parts for chassis and two channels)
 - 2—4-3/4" x 5" double clad circuit boards
 - 1—power cord and power cord strain relief
 - 1—7" x 11" x 2" chassis
 - 2—phono jacks with insulated grounds
 - 4—rubber grommets for 3/8" hole (1/4" ID x 1/2" OD)
 - 2—red banana-plug speaker binding posts
 - 2—black banana-plug speaker binding posts
 - 8—No. 6 soldering lugs for speaker binding posts C12 and C13
 - 1—5-lug terminal strip (center lug ground)
 - 1—No. 6 lockwasher soldering lug for ground on terminal strip
 - 5—chassis-mount fuse clips for 3AG fuses
 - 2—panel-mount fuse clips for 8AG fuses
 - 8—1/2" insulated standoff spacer for No. 4 screw
 - 4—TO-3 transistor sockets (moulded type preferable)
 - 4—TO-3 transistor insulating wafers (Silicon rubber preferable)
 - 8—TO-5 transistor finned heat sink coolers
 - 4—Thermalloy 6106B heat sinks for Q10 and Q11
 - 2—Thermalloy 6423B or Wakefield 423K heat sinks (each must be drilled for Q12, Q13, D3, D4, and D5)
 - 4—1" x 1/2" x 1-1/2" L-brackets for mounting heat sinks above chassis
 - Length of shielded phono cable
 - Cable ties
 - Screws: 6-32 x 1/4" machine screws, nuts, and lockwashers
 - 4-40 x 1/4" machine screws, nuts, and lockwashers
 - 4-40 x 1/2" machine screws, nuts, and lockwashers
 - 4-40 x 3/4" machine screws, nuts, and lockwashers
- Two etched, drilled, and plated printed circuit boards are available for \$25 plus \$1.00 postage and handling from Electronics One, P.O. Box 13671, Atlanta, Georgia 30324. These boards have the layout for the VI limiter.

Low TIM Amplifier

PART II

The low transient IMD (or TIM) amplifier which has been described [1] did not contain a protection circuit in order to minimize the complexity as a construction article. A voltage-current sensing (or VI) limiter has been developed for the protection of the output stage of this amplifier from overload conditions for load impedances less than 4 ohms. In addition, a

second protection circuit has been developed which protects the voltage gain stages of the amplifier in the event of a failure in the output stages. The printed circuit foil patterns for this protection circuit were included on the circuit board layouts given [1]. The two-stage protection circuit will be described in this second part article on the amplifier. In addition, several minor modifications to the circuit will be described which improve its TIM rejection characteristics and which correct some minor errors which appeared in the first article.

Corrections to The Published Circuit

The complete circuit diagram of the amplifier with all corrections and the addition of the VI limiter is shown in

AUDIO • February 1977

Fig. 1. All changes in component values are indicated by an asterisk in the supplemental parts list. The NPN driver transistor is properly labeled Q10 rather than Q11 as was originally published. A change which should answer some questions which have arisen is shown in the bias circuit. The positions of R24, D3, D4, and D5 in Fig. 1 now correspond to those on the circuit board layout. This change has required a modification in the figure for the diode bias mounting diagram. This is given in Fig. 2.

It has been previously published in a *Letter to the Editor* that use of the specified anodized heat sinks could result in an ungrounded circuit board. To prevent this, the anodization should be thoroughly scraped or filed away beneath all lockwashers and nuts used both to attach the circuit boards to the heat sinks and those used to attach the mounting L-brackets to the heat sinks. For proper hum elimination, it is necessary to ground the circuit boards to the heat sinks through each of the four mounting screws and to ground the heat sinks through both mounting L-brackets. The use of non-anodized heat sinks will eliminate this problem.

Modifications to The Published Circuit

The modifications to the circuit involve the time constants used in the

input low-pass filter and in the TIM suppressing alternate feedback network. R2 should be changed from a 2.7 kilohm resistor to a 4.7 kilohm resistor. This change moves the 3-dB cutoff frequency of the input low-pass filter to 100 kHz from 150 kHz. This helps prevent the application of inaudible, high-frequency overload signals which could aggravate charge storage effects in the output stages.

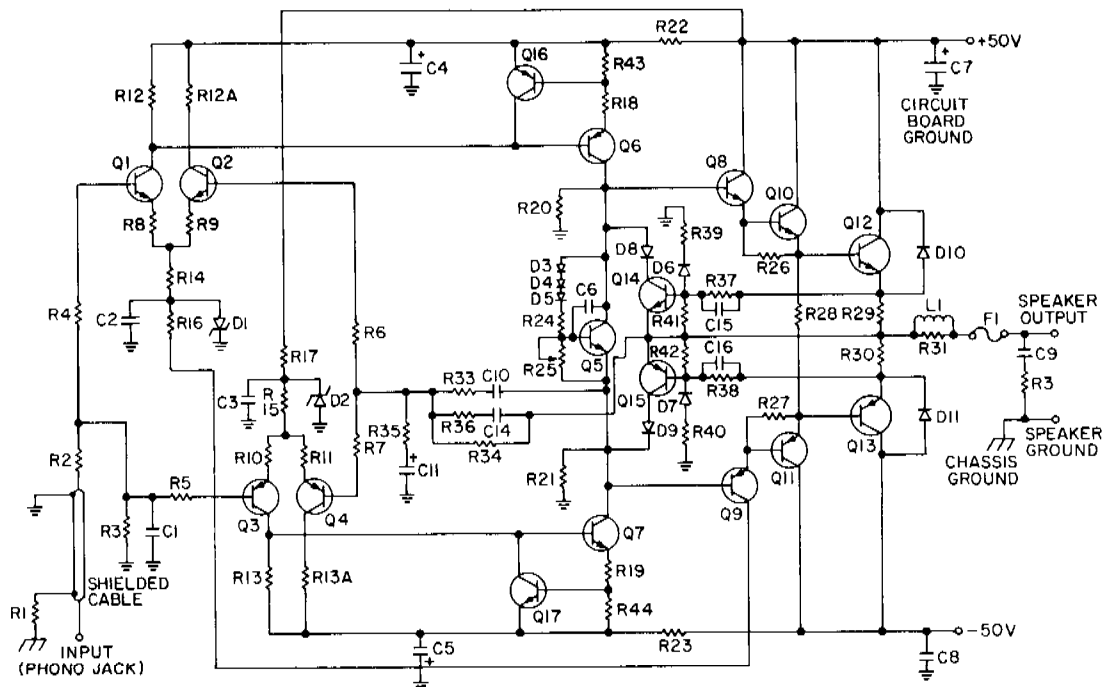
The most important modifications which have been made involve the TIM suppressing feedback network. As shown in Fig. 2, the 10 pF lead-compensation capacitor C10 now connects to the emitter of Q5 rather than to R34. This change was necessitated when an amplifier was encountered which exhibited a marginal stability problem due to mutual coupling effects and mutual inductance in the leads which attach the output transistors to the circuit board. By connecting C10 to the emitter of Q5, the lead compensation is taken from output of the second voltage gain stage, thus bypassing any phase shifts which are encountered by the signal in traversing through the driver and output transistors and their connecting leads. The second change in the feedback network is in the value of R-36. This has been changed from 10 kilohm to 33 kilohm.

The purpose of C14 and R36 is to extend the *loop bandwidth* of the am-

plifier from approximately 38 kHz to approximately 100 kHz. This frequency coincides with the 100 kHz cutoff frequency of the input low-pass filter. The loop bandwidth of an amplifier is that bandwidth experienced by a signal when it propagates from input to output and then back through the feedback network. Without C14 and R36, this would be equal to the open-loop bandwidth which is approximately 38 kHz. In addition to the improvement in the loop bandwidth, C14 and R36 serve the function of causing the amplifier to reject inaudible high-frequency input signals which lie above 50 kHz. It is important to note that the high-frequency overload rejection is not accomplished by slowing down the amplifier loop response, but by *speeding it up*. It can be shown by feedback control theory that this is an elegant solution to the transient overload problem in the input stages, for it uses the feedback signal itself to cancel out ultrasonic overload signals which lie outside the open-loop bandwidth of the amplifier.

One question which has not been addressed is the effect of the TIM suppressing feedback network on the phase response of the amplifier. The phase shift is approximately 30° at 20,000 Hz. However, below 20,000 Hz, the phase decreases linearly with frequency. This means that the amplifier

Fig. 1—Complete circuit diagram of one channel showing the modifications to the feedback network and the voltage-current sensing protection circuit.



exhibits no group delay distortion, for its phase response corresponds to a constant time delay of about 4 microseconds. That is, all audible frequencies propagate through the amplifier with the same time delay, adding in their proper phase relationships at the output.

It can be shown that the output impedance of any negative feedback amplifier is inductive above its loop bandwidth. This has caused oscillation problems in many amplifiers with capacitive loads, for the inductive output impedance tunes with the capacitive load to form a resonant circuit. At best, an amplifier with insufficient loop bandwidth will exhibit severe ringing when driven by a square wave into a capacitive load. This problem is

ance of an amplifier into a capacitive load is a good indicator of how well it is capable of driving dynamic speakers in the frequency range directly above their resonant frequency, electrostatic speakers, and piezoelectric speakers.

Protection Circuit

In Fig. 1, transistors Q14 through Q17 and their associated components form the protection circuit. Protection of the output stages is provided by Q14 and Q15. These two transistors are connected so that they sense both the current supplied by the output transistors, i.e. the voltage across R29 and R30, and the voltage on the speaker line. Speaker load impedances above 4 ohms will not cause activation of Q14 or Q15. However, for

addition, the voltage on the speaker line (which is absent when the output is short circuited) provides a reverse bias voltage at the emitters of Q14 and Q15 which helps prevent their conduction. The combination of the voltage across R29 and R30 and the reverse bias voltage at the emitters of Q14 and Q15 cause the limiter not to be activated for load impedances above 4 ohms.

The reverse emitter bias voltage for Q14 and Q15 is determined by resistors R39 and R40. These have been chosen to limit the peak current into a 2-ohm load to about 4 amperes. Into a short circuit, the peak current is limited to about 2 amperes. Thus, the peak current is a function of load impedance—the smaller the load impedance, the lower the threshold of the current limiter. The approximate relation between the peak current before limiting, the load impedance R_L , and the threshold resistors $R_{39} = R_{40} = R$ is given by the equation

$$I_{\text{peak}} = \frac{0.7}{R_E - \frac{R_L}{R} (R_L + 120)} \text{ amperes (1)}$$

where $R_E = R_{29} = R_{30} = 0.33$ ohms.

A current limiting circuit can be inherently unstable and cause oscillations under limit conditions. This can be understood by a simple heuristic argument. Once an overload occurs, the limit circuit is triggered, and the overload condition is eliminated. This causes the limit circuit to deactivate, at which time the overload condition reappears. This is a vicious cycle which can manifest itself as oscillations. Capacitors C15 and C16 help prevent this problem in the V1 limiter of Fig. 1. In addition, the limiter threshold is set so that it is improbable that the limiting function will be activated under normal signal and load conditions.

Diodes D6 and D7 are necessary to prevent Q14 from limiting during negative signal swings and Q15 from limiting during positive signal swings on the speaker line. Diodes D8, D9, D10, and D11 provide protection of Q14, Q15, Q12, and Q13, respectively, from inductive transients which may occur on the speaker output line.

Transistors Q16 and Q17 provide an important protection function in the event of a failure in the output stage or a blown fuse on one side of the power supply. These transistors will saturate if the current demand on Q6 or Q7 exceeds 20 mA, thus limiting the current to this value. This protects

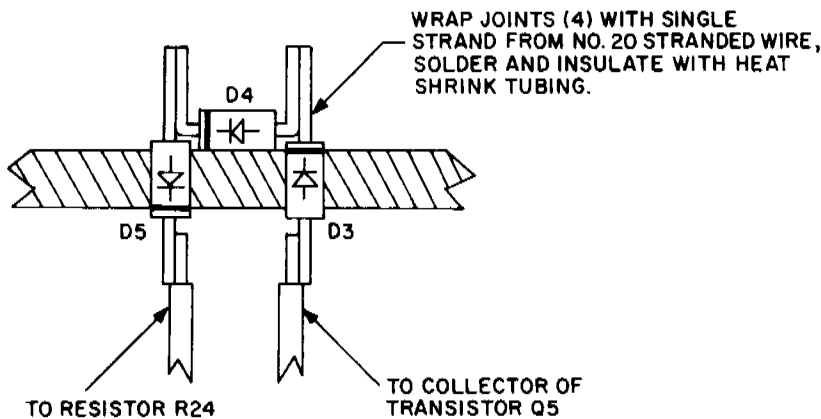


Fig. 2—Diagram showing mounting of the temperature compensating bias diodes on the main heat sinks. The banded end of each diode is the cathode.

eliminated in the circuit of Fig. 1 by the combination of an open-loop bandwidth of approximately twice that of the audible spectrum, the input low-pass filter, and the TIM-suppressing feedback network. The amplifier will drive a 2 microfarad capacitor for a load with essentially no ringing with square-wave signals. This makes L1 and R31 unnecessary in their usual function of preventing oscillations into capacitive loads. However, their removal is not recommended since they provide some degree of r.f. protection from r.f. signals which may be picked up on the speaker lines. Capacitive load testing of amplifiers is not a recommended procedure for the unexperienced. Next to a short circuit, the capacitor is probably one of the most demanding load tests on an amplifier. Nevertheless, the square-wave perform-

load impedances below 4 ohms, these two transistors act as current limiters to prevent excessive power dissipation and possible failure in the output transistors.

To understand the operation of Q14 and Q15, it is convenient to consider two speaker load conditions, a short circuit and an open circuit. First, for a short circuit, the current through R29 and R30 will be very large, even for small input signals. This current is sufficient to cause a voltage drop across R29 and R30 which will cause Q14 and Q15 to conduct. Their conduction reduces the drive voltage to the driver stages which in turn reduces the current supplied by the output transistors. In contrast, an open circuit on the speaker line will cause very little current to be supplied through R29 and R30, a current which is insufficient to activate Q14 and Q15. In

transistors Q1 through Q7 from an electrical failure which might occur in another part of the amplifier. Under normal signal conditions, Q16 and Q17 will be an open circuit.

All components for the VI limiter mount on the printed circuit layout of Fig. 3 except diodes D10 and D11. These are soldered across the collector-to-emitter terminals on the sockets for transistors Q12 and Q13, respectively. It should be noted that R18 and R19 should be reduced from 390 ohms to 360 ohms when Q16, Q17, R43, and R44 are added to the circuit.

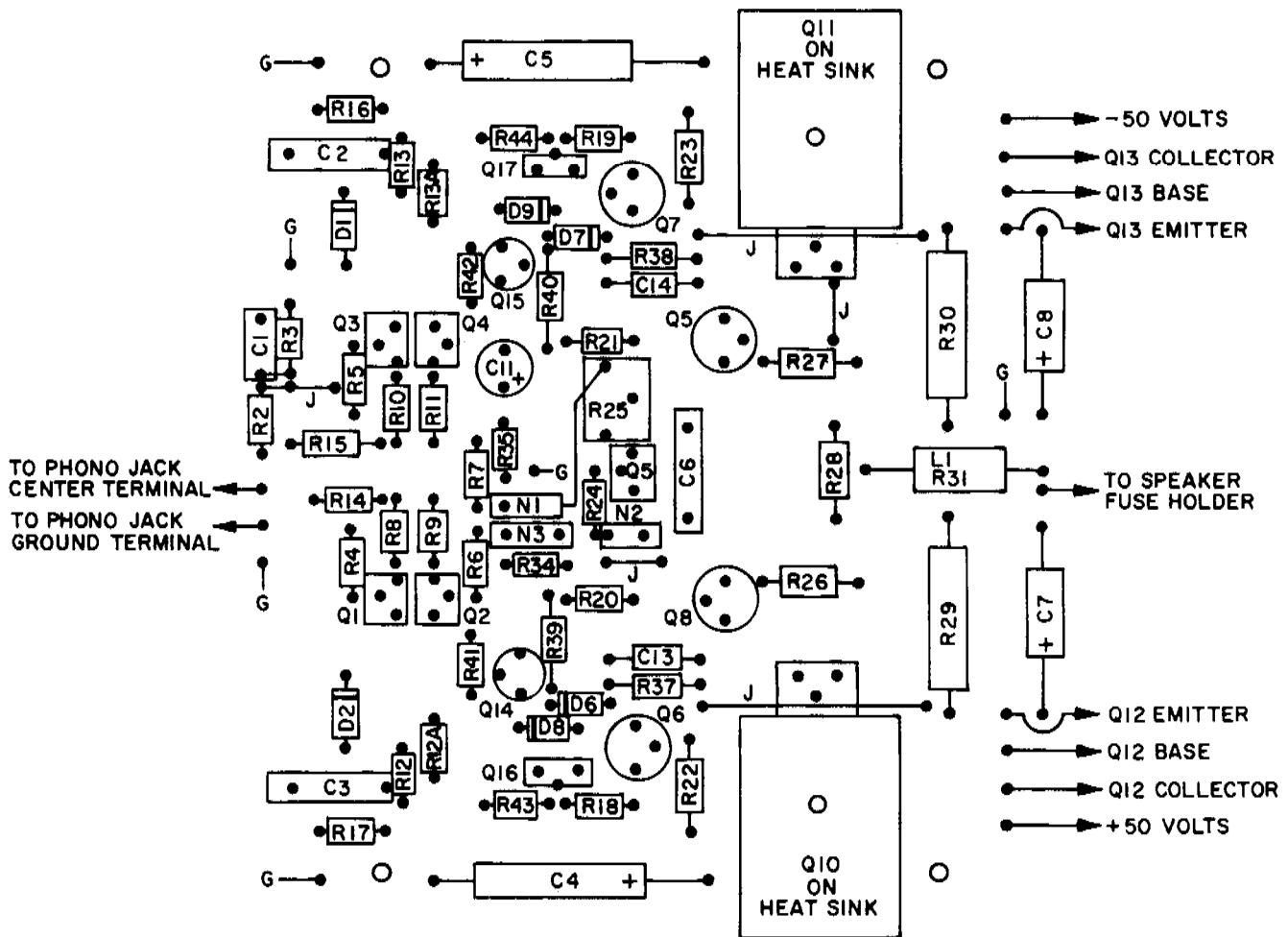
Since the values of R33 and R34 are 30 ohms, the total emitter load resistance of Q6 and Q7 will remain 390 ohms.

A Note on Power

Comments from readers of the first article have shown a great deal of interest in increasing the output power of the amplifier. This can be accomplished easily by using a power transformer which has better regulation than the one specified. A recommended substitute is the Signal transformer number 68-6 or 68-8 which are available from Signal Transformer Co.,


Inc., 1 Junius Street, Brooklyn, New York 11212. This transformer has multiple primary taps. The tap which produces a d.c. power supply voltage closest to ± 50 volts (not to exceed ± 52 volts with 120 volts a.c. input line voltage) should be used. The amplifier will then be capable of 100 watts per channel with an 8-ohm load. If any problems are then experienced with either power supply or speaker fuses blowing at high volume levels (especially with 4-ohm loads), the fuses can be changed to ones with a 5-ampere rating. Higher rated fuses should *not*

Fig. 3—Circuit board parts layout for one channel. View is from ground plane side of the board on which most components are mounted. Note that R33 and C10 are now connected to the rear of the board from the junction of R34 and R35 to the emitter of transistor Q5. This modification is discussed in the text.



- N1 - R33 & C10 IN SERIES SOLDERED TO REAR OF BOARD FROM JUNCTION OF R34 & R35 TO EMITTER OF Q5
- N2 - D3, D4, & D5 CONNECTIONS
- N3 - R36 & C12 IN SERIES

be used. Under no circumstances should anything but fast blow fuses be used for either the power supply or speaker fuses.

In addition to the transformer change, it is recommended that the Motorola transistors MPS8099 be substituted for Q1 and Q2 and MPS8599 substituted for Q3 and Q4. These transistors have a higher voltage rating than the 2N5210 and 2N5087 which were originally specified. An optional modification for the higher powered unit would be to use four output transistors per channel. By connecting an additional output transistor in parallel with each existing one, the power dissipation per transistor is halved, which improves the reliability of the output stage. The additional output transistors are not necessary if load impedances less than 6 to 8 ohms will not be driven. 

PARTS LIST

Original Parts List Modifications

- Q1, Q2, Q5, Q17 - MPS8099*
(or 2N5210)
- Q3, Q4, Q16 - MPS8599* (or 2N5087)
- Q14 - 2N5681
- Q15 - 2N5679
- D3 through D5 - 1N4004* (or 1N4002)
- D6 through D11 - 1N4004
- R1 - 10 ohm*, 1/4 watt
- R2 - 4.7 kilohm*, 1/4 watt
- R18, R19 - 360 ohm*, 1/4 watt
- R28 - 100 ohm*, 1/2 watt
- R29, R30 - 0.33 ohm*, 5 watt
- R31 - 10 ohm*, 2 watt
- R33 - 100 ohm, 1/4 watt
- R36 - 33 kilohm, 1/4 watt
- R37, R38 - 120 ohm, 1/2 watt
- R39, R40 - 1.5 kilohm, 1/2 watt
- R41, R42 - 33 kilohm, 1/4 watt
- R43, R44 - 30 ohm, 1/4 watt
- C10 - 10 pF*, 100 volt ceramic capacitor
- C11 - 100 μ F*, 10 volt electrolytic capacitor
- C14 - 47 pF, 100 volt ceramic capacitor
- C15, C16 - 0.05 microfarad, 25 volt ceramic capacitor

* - Indicates a change in value from that originally specified.

The circuit boards for the power amp are available from: William R. Dunn, Georgia Institute of Technology, EES-ASD/STL, Atlanta, GA 30332. The price is \$16.00 per pair, plus \$1.00 postage and handling. Note: These boards have provisions for 4 output transistors per channel.

LOW TIM-II AMPLIFIER

The low TIM-II amplifier uses a complementary cascode differential input stage that features a unique Bessel superconductor filter that makes it impossible for the amplifier to slew. The filter achieves this by limiting the rise time of the output signal to a value less than the slew rate of the amplifier. The maximum slew rate is set at 100 volts per microsecond with a 2 milliamper diff-ferential amplifier bias current and the 20 picofarad integrating capacitors C7 and C8. Because this is 8.7 times the maximum value required by the input filter, we strongly recommend using 30 picofarad capacitors for C7 and C8. This will greatly reduce the chance of oscillations due to ground loops, poor power supply decoupling, and other such difficult to locate problems which often plague home construction projects. The maximum slew rate will then be reduced to 67.7 volts per microsecond, or 5.8 times the maximum value required by the input filter.

The location of all transistors in the circuit is labeled on the ground plane side of the circuit boards. The arrows on the circuit boards indicate the direction for each diode in the circuit. The arrows should point to the banded end of the diode installed above or adjacent to the arrow. There are five ground connections which must be soldered on the boards as described in the original Low TIM article. The ground nearest the speaker output should be connected back to the main ground point with a #20 stranded and insulated wire. This wire should be soldered to both sides of the board as are the other four ground connections. The thermal compensation diodes D3-D6 are installed into holes drilled into the main heat sink for each respective channel. Alternatively, the diodes can be epoxy glued to the heat sinks. Build and install this diode assembly with care! A broken diode can result from too much tension on the diode leads, and this will cause a blown output stage. Also, if the diodes are installed backward, the output stage will blow.

Solder all wires to the circuit board from the side opposite to the ground plane. The wires which run to the power transistors and thermal compensation diodes should be no longer than 6 inches. Loosely twist the wires to the thermal compensation diodes together before soldering them to the board.

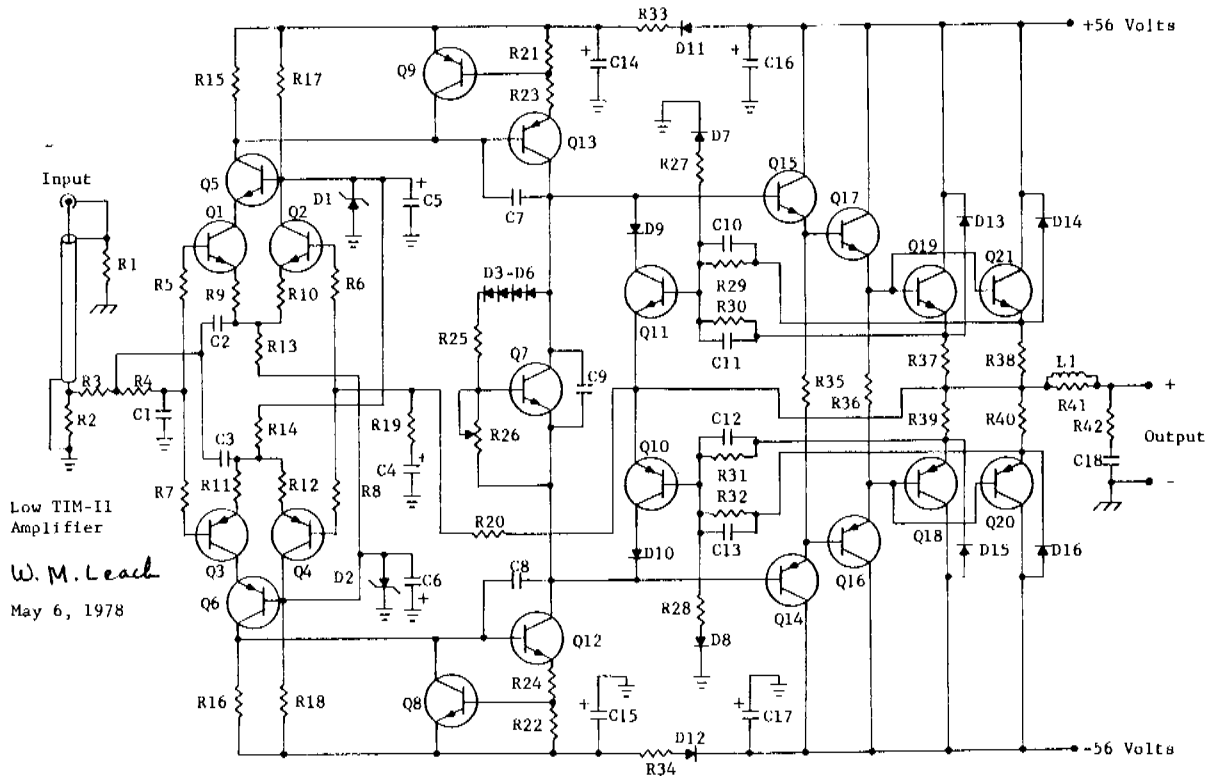
The protection circuit may be disabled by removing transistors Q10 and Q11 from the circuit. However, we recommend that these transistors be installed at least until the amplifier has been checked out and is operational. It could save two output transistors in each channel if there is a wiring error. Without the protection circuit, an accidental short circuit on the speaker output will cause a blown output stage. Therefore, we do not recommend that it be omitted unless the user is aware of the consequences.

With the exception of the new parts list and circuit board layout, the amplifier is constructed as described for the original amplifier. Resistor R1 is installed on the input jack. Resistor R42 and capacitor C18 are installed on the speaker output jacks. There are five jumper wires which must be installed on the circuit board. Transistors Q12 through Q17 on the circuit board have heat sinks installed on them. We recommend the Thermalloy 6073B for Q16 and Q17 or an equivalent heat sink. We recommend insulating these from the circuit board with a fiber washer so that it will not be necessary to install a mica washer between the heat sinks and the collectors of Q16 and Q17. The ground connections are indicated with a G on the circuit board. Only one of these is connected back to the main ground point as described above. The jumper wires are labeled with a J on the parts layout. The minus signs (-) on the ground plane side of the circuit boards indicate the negative terminal of the electrolytic capacitors.

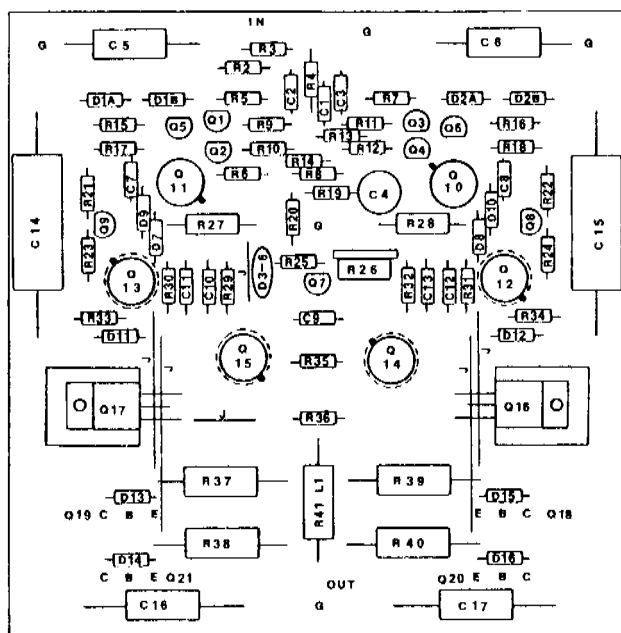
The bias voltage is set by R26. Follow the instructions in the original article carefully. When set properly, the amplifier will idle barely warm to the touch, i.e. the main heat sinks will become just warm enough so that you can tell that the amplifier is on. Adjust R26 carefully. A bias voltage that is too high can blow the output stage. Measure the bias voltage by touching the voltmeter leads between the cases of transistors Q12 and Q13. At the initial turn-on, be sure that R26 is set at its maximum value! Otherwise, you could lose the output transistors. The bias voltage will automatically decrease if the amplifier is driven hard so that the main heat sinks warm up. Therefore, the correct bias voltage should be measured only when the heat sinks are barely warm. It should be approximately 3.45 volts.

Build the amplifier with care. Poor construction techniques and short cuts will always cause their toll. Do not substitute transistor types or manufacturers. To do so may cause oscillations, because substitute transistors do not have the same frequency characteristics as original types do. Should you have difficulty in obtaining parts, contact Ack Radio Supply, 554 Deering Road NW, Atlanta, Georgia (404-351-6340). Ack does not have a catalog. However, they can get all parts for the amplifier. Send them a stamped envelope with the list of things you need for their price. There are three mail order companies which are excellent sources for parts. These are Digi-Key Corp., P.O. Box 677, Thief River Fall, Minn. 56701 (1-800-346-5144), James Electronics, 1021 Howard St., San Carlos, Calif. 94070 (415-592-8097), and Delta Electronics, P.O. Box 2, Amesbury, Mass. 01913 (617-388-4705). You should have the catalogs from these three companies before building the amplifier. You can save a lot of money if you do.

The Sprague capacitors recommended for C5, C6, C14, and C15 are those for which the circuit boards were designed for. Capacitors of the same or smaller physical size can be used. For C5 and C6, any 10 ufd or greater value can be used. For C14 and C15, any 100 ufd or greater value can be used. The amplifier can be used with any power supply in the 48 to 58 volt range. The voltage rating on these capacitors can be changed according to the power supply voltage used.



Low TIM-II Amplifier Parts Layout



J - Jumper Wire
 G - Ground Plane Connection

LOW TIM-II AMPLIFIER PARTS LIST

Transistors

- Q1,Q2,Q5,Q7,Q8 (NPN) - 2N5210 (M,I, or N) Q3,Q6,Q9 (PNP) - 2N5087 (M,I, or N)
 Q11,Q12,Q15 (NPN) - 2N3439 (M or R) Q10,Q13,Q14 (PNP) - MJ5415 (M) or 2N5415 (R)
 Q17 (NPN) - 2N6474 (P) Q16 (PNP) - 2N6476 (R)
 Q19,Q21 (NPN) - MJ15003 (M) Q18,Q20 (PNP) - MJ15004 (M)
 M - Motorola I - ITT
 R - RCA N - National Semiconductor

Diodes

- D1,D2 (Zener) - 1N5256B (30 V) or two 1N5245B (15 V) in series (preferred), (DiGi-Key)
 D3,D4,D5,D6,D11,D12 - 1N4004 (DiGi-Key)
 D7,D8 - 1N4934 (Motorola fast recovery)
 D9,D10 - 1N4934 (preferred) or 1N4004
 D13,D14,D15,D16 - 1N4935 (preferred, Motorola fast recovery) or 1N4004

Capacitors

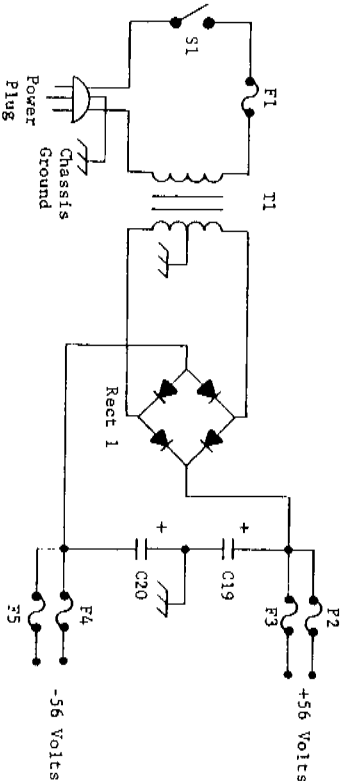
- C1 - 470 pf silver mica, 5%, 50 V or greater (Arco DM15-471J)
 C2,C3 - 300 pf silver mica, 5%, 50 V or greater (Arco DM15-301J)
 C4 - 220 ufd, 16 V radial electrolytic (DiGi-Key 220/16R)
 C5,C6 - 100 ufd, 50 V axial electrolytic (DiGi-Key 100/50A)
 C7,C8 - 20 pf or 30 pf (see instructions) silver mica, 5%, 200 V or greater
 (Arco DM15-200J or DM15-300J, respectively)
 C9 - 0.1 ufd, 100 V metallized polyester (DiGi-Key "Plessey Minibox", .1/100)
 C10 - 0.01 ufd, 100 V polyester (DiGi-Key "Plessey Minibox", .01/680)
 C14,C15 - 150 ufd, 75 V electrolytic (Sprague 39D157G075R14)
 C16,C17 - 30 ufd, 75 V electrolytic (Sprague 39D306G075EB4)
 C18 - 0.1 ufd, 100 V metallized polyester (DiGi-Key "Plessey Minibox", .1/100)

Resistors (1/4 watt, 5%, carbon film unless otherwise specified)

- R1 - 10 ohm R23,R24 - 330 ohm
 R2 - 22 Kohm R25 - 1.8 Kohm
 R3,R4 - 6.2 Kohm R26 - 5 Kohm Trimmer Pot (CTS X201R/502B)
 R5,R6,R7,R8 - 680 ohm R27,R28 - 1.5 Kohm, 1 watt
 R9,R10,R11,R12 - 220 ohm R29,R30,R31,R32 - 240 ohm
 R13,R14 - 15 Kohm R33,R34 - 68 ohms
 R15,R16 - 2.4 Kohm R35 - 470 ohms
 R17,R18 - 3.9 Kohm R36 - 120 ohms
 R19 - 1.6 Kohm R37,R38,R39,R40 - 0.33 ohms, 5 watt
 R20 - 33 Kohm R41,R42 - 10 ohms, 2 watt
 R21,R22 - 30 ohm

Inductors

- I1 - 10 turns of number 22 solid insulated wire wound tightly around the body of R41 and soldered to the leads of R41 as close as possible to where they emerge from the resistor body



Low TIM-II Amplifier Power Supply

I1 - Signal Transformer 68-8. Order from Signal Transformer Co., 500 Bayview Ave., Inwood, NY 11696 (516-339-7200). This transformer has two separate secondaries. Connect the 0 volt tap on one to the 34 volt tap on the other to connect them in series for a 68 volt transformer. The two taps that are connected together then become the transformer center tap. The two 17 volt terminals on the secondary are not used. You can vary the secondary voltage by connecting the AC input to different primary terminals. The highest voltage will occur with the AC connected to the 105 volt winding. Although this will give the highest output power, the 105 volt tap should not be used if the transformer idles hot after several hours of operation. A transformer that idles hot indicates a core saturation problem.

Rect 1 - Motorola bridge rectifier MDA3504

C19, C20 - 1,000 ufd (or greater), 75 volt electrolytic capacitors
 S1 - AC switch rated at 6 amperes or greater. A 0.01 ufd 1000 volt capacitor can be added in parallel with the switch to suppress arcing between the switch terminals if desired.

F1 - 3 ampere, slow-blow fuse
 F2, F3, F4, F5 - 5 ampere, fast-blow fuses

Hum problems can result from grounding the third prong of the power plug. If this occurs, use an isolating plug. However, any circuit powered from the AC line is safest when grounded to the safety ground of the AC system.

LOW TIM 3 Amplifier

The Low TIM 3 amplifier is the second revision of the Low TIM amplifier originally published in the February 1976 issue of Audio. The new circuit features a lead compensated complementary cascode differential input stage that has a second-order active Bessel aligned low-pass filter response to reject super-sonic signals above 40 KHz. Above this frequency, the filter response rolls off at 12 dB per octave. The bias current in the input stage has been increased to improve the slewing rate. The voltage rating of each stage has been increased so that the circuit can be used with power supply voltages up to +60 volts for an output power of up to 150 watts per channel. The feedback circuit has been split into separate AC and DC signal paths. The AC path is lead compensated to correct for a pole in the output stage. The protection circuit has been improved to prevent it from being falsely triggered by fast transients. The frequency stability has been improved to minimize problems with oscillations.

Follow the instructions in the Audio articles, but do not spray paint the new solder plated circuit boards. The first step is to solder the 7 ground connections marked G on the board. Do not solder the one nearest the speaker output at this time. Second, install and solder all 1/4 watt resistors then all 1/2 watt resistors. Resistors should be bent on a resistor bender. Care should be taken that there are no short circuits to the ground plane. All other components can now be installed and soldered. Heat sinks for Q12 through Q15 must be installed before these transistors are soldered to the circuit board. Finally, install and solder the input, power supply, and ground leads using the wire sizes specified in the Audio articles. The ground lead is installed as described in the Grounding Procedure on the Parts Layout sheet.

Transistor positions are numbered with the transistor numbers on the ground plane side of the board. Proper diode directions are indicated by the arrows on the ground plane. The arrows point to the banded end or cathode of each diode. The bias diode assembly now has 4 diodes instead of 3. A separate hole should be drilled for each in the main heat sinks. Treat and install the bias assembly with care. A backward or cracked diode can blow expensive output transistors!

The assembled boards should be tested before connection of the output transistors. To do this, tack solder a separate 100 Ohm resistor from each end of R38 to the junction of R39 and R42. Connect the board to a current limit power supply and adjust R28 for maximum resistance. Tack solder a temporary short circuit jumper across the bias diode connections to the board. With about a 1 volt rms 1000 Hz sine wave input signal, the board should amplify without drawing more than about 25 milliamperes.

Upon completion, R28 must be set for proper bias current in the output transistors. Remove the fuse from the positive supply to the channel being biased. Clip a milliamper meter across the fuse clip in parallel with a short circuit jumper wire. After the amplifier is powered up, remove the short circuit jumper and set R28

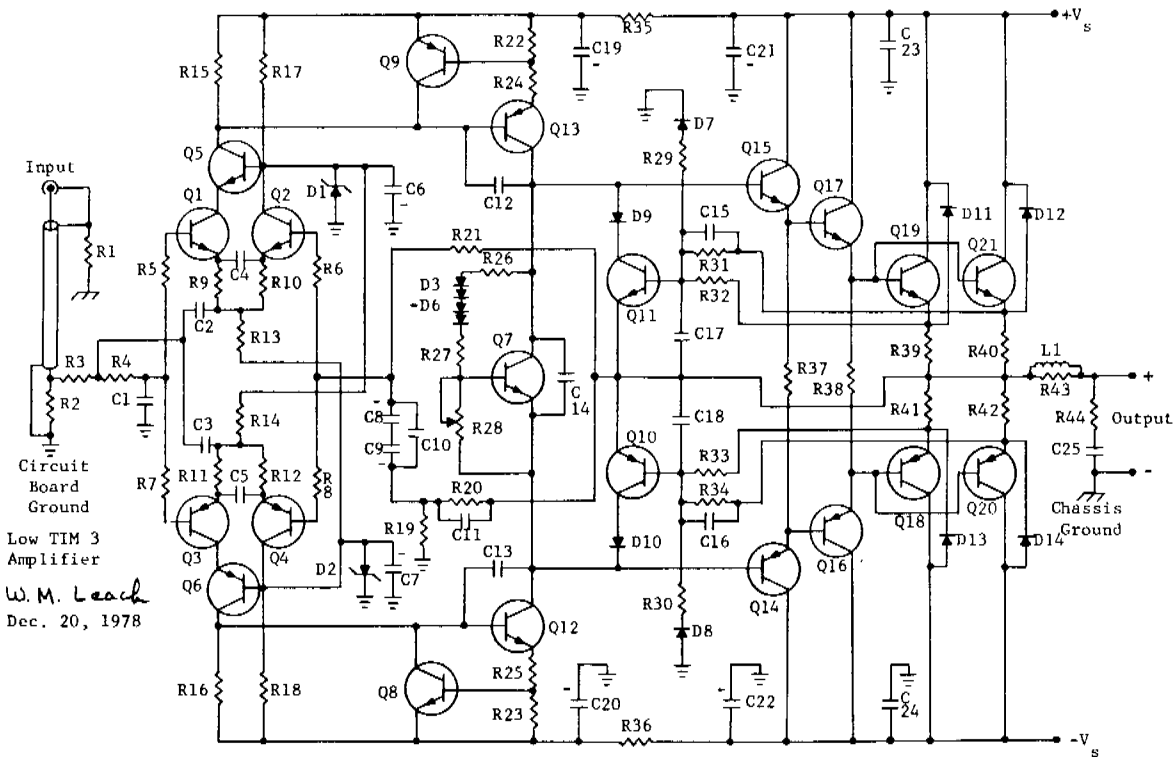
for 100 milliamperes. The current will drop as the heat sinks warm up. Readjust R28 every several minutes until the current stabilizes at 100 milliamperes. The heat sinks will be barely warm to the touch. The procedure takes about 30 minutes. Finally, seal R28 with a drop of glue such as Duco Cement.

The value of the pole splitting capacitors C12 and C13 affect both the slewing rate and gain-bandwidth product of the amplifier. The lower the value of these capacitors, the better. However, a value too low will cause the amplifier to oscillate. The recommended value of C12 and C13 is 10 pf. With this value, the slewing rate is over 70 volts per microsecond and the gain-bandwidth product is over 10 MHz. Should oscillations occur, C12 and C13 should be increased to 15 to 20 pf. The lowest value which stabilizes the amplifier should be used. If the heat sinks of the amplifier heat up unexpectedly, the circuit could be oscillating. Immediately turn it off until the cause is determined.

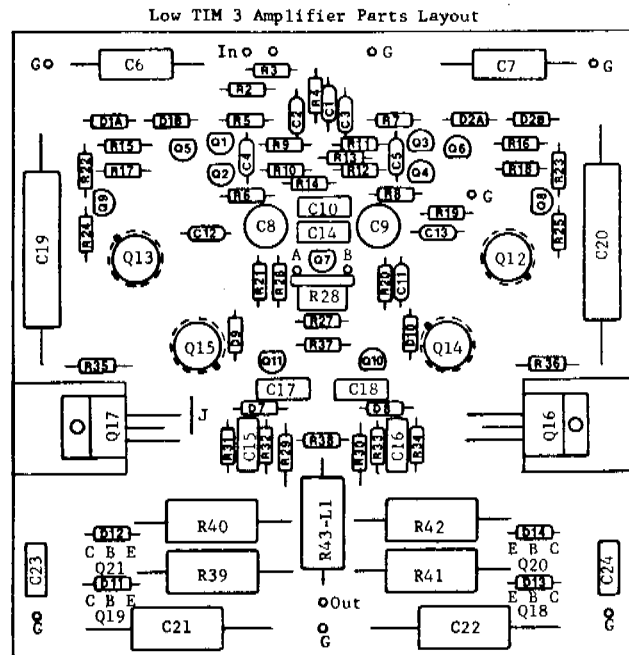
To minimize DC offset problems, Q1 and Q3 should have the same current gain and Q2 and Q4 should have the same current gain. Ideally, all four transistors should have the same current gain. To minimize thermal problems, it is best to mount all 4 output transistors for each channel on a common heat sink. If two heat sinks are used for each channel, mount Q19 and Q21 on one and Q18 and Q20 on the other. The 4 thermal biasing diodes should all be installed on either one of the two heat sinks. Under no circumstances should either transistor types or manufacturer be changed from those specified. The transistors and fast recovery diodes cannot be purchased from an electronics store that specializes in consumer electronics or TV repair parts. They are only sold by industrial suppliers such as Newark Electronics, Arrow Electronics, Schweber Electronics, Hallmark Electronics, or Hamilton Avnet Electronics. These companies have sales offices in major cities across the United States.

Build the amplifier with care. Poor construction techniques and short cuts will always take their toll. Should you have difficulty in obtaining parts, Ack Radio Supply in Atlanta stocks or can get most of them. They can be reached at 404-351-6340. There are four mail order companies which are excellent sources for some parts. These are Digi-Key Corp., P.O. Box 677, Thief River Falls, Minn. 56701 (800-346-5144), Jameco Electronics, 1021 Howard Street, San Carlos, Calif. 94070 (415-592-4705), Delta Electronics, P.O. Box 2, Amesbury, Mass. 01913 (617-388-4705), and ElectroValue America, P.O. Box 377, Peterborough, N.H. 03458. You can save a lot of money if you have the catalogs from these companies before building the amplifier. (The ElectroValue catalog costs \$1 which is refunded on the first order.)

W. Marshall Leach, Jr.
July 21, 1979



GROUNDING PROCEDURE - Resistors R45 and R46 are not shown on the circuit diagram. These resistors and R1 serve the purpose of shunting the high frequency capacitance between circuit ground and chassis ground. To properly ground the circuit board, insert one end of resistor R45 and one end of a length of No. 22 stranded wire into the ground hole marked G nearest the speaker output. Solder these on both sides of the board. The wire should be soldered to the central ground point of the amplifier. R45 should solder to a grounding solder lug to chassis adjacent to the circuit board. R46 should be soldered between the loudspeaker output ground binding post and an adjacent grounding solder lug to chassis. For a stereo chassis, install the insulated phono input jacks adjacent to each other. Solder a wire between the ground lugs of these and solder a single resistor R1 from this junction to an adjacent grounding solder lug to chassis. Each lead of R1, R45, and R46 should be no longer than about 1/2 inch in order to minimize the inductance. A properly grounded amplifier will not be subject to ground loop problems that can cause hum or to high frequency coupling through the ground system that can cause high frequency oscillations.



- J - Jumper Wire
- G - Ground Plane Connection
- A - Anode of Diode D3
- B - Cathode of Diode D6

LOW TIM 3 AMPLIFIER PARTS LIST

Transistors (M - Motorola, I - ITT, R - RCA, N - National Semiconductor.)
 Q1,Q2,Q5,Q7,Q8,Q11 (NPN) - 2N5210 Q3,Q4,Q6,Q9,Q10 (PNP) - 2N5087
 (M,N,or I) or MPS8099 (M) (M,N,or I) or MPS8599 (M)
 Q12,Q15 (NPN) - 2N3439 (M or R) Q13,Q14 (PNP) - MM5415 (M) or 2N5415 (R)
 Q17 (NPN) - MJE15030 (M) or 2N6474 (R) Q16 (PNP) - MJE15031 (M) or 2N6476 (R)
 Q19,Q21 (NPN) - M115003 (M) Q18,Q20 (PNP) - M115004 (M)

Diodes

D1,D2 - 2 series 1N5250B 20 volt zener diodes for each (Digi-Key)
 D3,D4,D5,D6 - 1N4001, 1N4002, 1N4003, or 1N4004 (Digi-Key)
 D7,D8 - 1N4934 or 1N4935 (Motorola fast recovery)
 D9,D10,D11,D12,D13,D14 - 1N4935 (preferred) or 1N4004

Capacitors

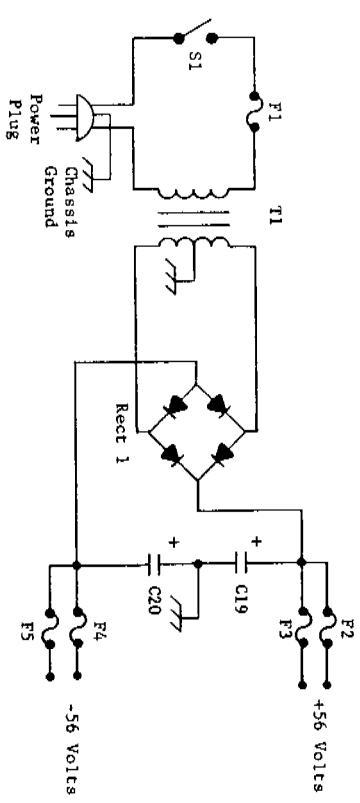
C1 - 430 pf 5% silver mica (Arco DM15-431J)
 C2,C3 - 270 pf 5% silver mica (Arco DM15-271J)
 C4,C5 - 15 pf 5% silver mica (Arco DM15-150J)
 C6,C7 - 100 ufd 50 volt axial electrolytic (Digi-Key 100/50A)
 C8,C9 - 330 ufd 10 volt radial electrolytic (Digi-Key 330/10R)
 C10,C14,C17,C18,C23,C24,C25 - 0.1 ufd 100 volt metallized polyester (Plessey Minibox .1/100, Digi-Key #3023P)
 C11 - 13 pf 5% silver mica (Arco DM15-150J)
 C12,C13 - 10, 15, or 20 pf 5% silver mica (see instructions) (Arco DM15-100J, DM15-150J, or DM15-200J, respectively)
 C15,C16 - 0.01 ufd 630 volt metallized polyester (Plessey Minibox .01/630, Digi-Key #3012P)
 C19,C20 - 100 or 150 ufd 75 volt electrolytic (Mallory TC75101A or Sprague 39D157G075FJ4, respectively)
 C21,C22 - 25 or 30 ufd 75 volt electrolytic (Mallory TC75250A or Sprague 39D306G075EE4, respectively)

Resistors (1/4 watt 5% carbon film unless otherwise specified)

R1 - 4.7 ohm R22,R23 - 20 ohm
 R2 - 43 Kiloohm R24,R25 - 330 ohm
 R3,R4 - 6.2 Kiloohm R26,R27 - 1 Kiloohm
 R5,R6,R7,R8,R9,R10,R11,R12 - 270 ohm R28 - 5 Kiloohm Tripot (CTS X201R/502B)
 R13,R14 - 10 Kiloohm R29,R30 - 2 Kiloohm 1/2 watt
 R15,R16 - 1.2 Kiloohm R31,R32,R33,R34 - 510 ohm
 R17,R18 - 1.6 Kiloohm, 1/2 watt R35,R36 - 100 ohm
 R19,R38 - 240 ohm R39,R40,R41,R42 - 0.33 ohm 5 watt
 R20 - 5.6 Kiloohm, 1/2 watt R37 - 470 ohm
 R21 - 56 Kiloohm R43,R44 - 10 ohm 2 watt
 R45 - 3.3 ohm
 R46 - 1 ohm, 1/2 watt

Miscellaneous

L1 - 10 turns #22 solid insulated wire wound tightly around R41 and soldered to the leads of R41 where they emerge from the resistor body
 are Thermalloy 6073B or equivalent.



Low TIM 3 Amplifier Power Supply

T1 - Signal Transformer 68-8, Order from Signal Transformer Co., 500 Bayview Ave., Inwood, NY 11696 (516-239-7200). This transformer has two separate secondaries. Connect the 0 volt tap on one to the 34 volt tap on the other to connect them in series for a 68 volt transformer. The two taps that are connected together then become the transformer center tap. The two 17 volt terminals on the secondary are not used. You can vary the secondary voltage by connecting the AC input to different primary terminals. The highest voltage will occur with the AC connected to the 105 volt winding. Although this will give the highest output power, the 105 volt tap should not be used if the transformer idles hot after several hours of operation. A transformer that idles hot indicates a core saturation problem.

Rect 1 - Motorola bridge rectifier MDA3504

C19, C20 - 10,000 ufd (or greater), 75 volt electrolytic capacitors

S1 - AC switch rated at 6 amperes or greater. A 0.01 ufd 1000 volt capacitor can be added in parallel with the switch to suppress arcing between the switch terminals if desired.

F1 - 3 ampere, slow-blow fuse

F2, F3, F4, F5 - 5 ampere, fast-blow fuses

Hum problems can result from grounding the third prong of the power plug. If this occurs, use an isolating plug. However, any circuit powered from the AC line is safest when grounded to the safety ground of the AC system.

LOW TIM 4 AMPLIFIER

The Low TIM 4 Amplifier is the latest version of the Low TIM Amplifier originally published in the February 1976 and 1977 issues of Audio. It has a power rating of 100 to 120 watts per channel, depending on the power supply, an IM distortions less than 0.15% at clipping and less than 0.01% at lower levels, a gain-bandwidth product of 8 MHz, and a large signal slew rate of 80 volts per microsecond. The version 4 of the circuit uses a new feedforward frequency compensation network that bypasses the driver and output stages in the loop-gain transfer function above 200 KHz. This minimizes the instability problem that can occur in feedback amplifiers with capacitive loads. This includes not only electrostatic loudspeakers but also the normal capacitance between the conductors of loudspeaker cables.

To minimize DC offset problems, matched transistors for Q1-Q2 and Q3-Q4 are recommended. The matching technique is described in the Double Barreled Amplifier articles in the April and May 1980 issues of Audio. These articles also contain many other useful construction techniques that are applicable to the Low TIM 4 Amplifier. Use a single heat sink per channel for transistors Q18-Q21 and mount diodes D5-D8 in holes drilled to fit the diodes in the center area of the heat sinks. The Double Barreled articles describe mounting of the diodes, except in the Low TIM 4 Amplifier all four diodes are mounted in each heat sink.

You should start assembly of the circuit boards by soldering the smallest components to the boards first, working up to the largest components last. To prevent their leads from being bent, the transistors should be installed so that their cases are not more than about 3/16 inch off the circuit boards. Carefully observe the parts layout sheet for proper orientation of the transistors, diodes, and electrolytic capacitors. Bias diodes D5-D8 should be installed in the main heat sinks with care. Use #22 or #24 stranded wire to connect them to the circuit boards. Do not use solid wire. Insulate the diode solder joints with heat shrink tubing. If you accidentally crack the body of a diode, it will become an open circuit and could cause a massive failure in the amplifier. The diodes can be glued in the heat sinks with a drop of instant bonding glue on each side. The only transistors on the circuit board which require heat sinks are Q16 and Q17. The Aavid 5741B heat sink will fit the circuit board. It is not necessary to use an insulating wafer between Q16 and Q17 and these heat sinks. However, each transistor-heat sink combination should be screwed tightly to the circuit board with a 4-40 by 1/4 inch machine screw, lock washer, and nut.

After assembly of the boards, all solder flux should be cleaned off with a solvent such as Stripper brand circuit board spray cleaner and a soft bristle brush. Before installing the boards, they should be tested with a bench power supply. To do this, solder a temporary short circuit jumper across C14. Temporarily solder a separate 100 ohm resistor from each end of R41 to the junction of R46 and R47. Connect the positive, negative, and common outputs from a dual power supply (preferable current limited to about 50 ma) to the board. There are two circuit board grounds which must be connected to the power supply common, one near the input and one near the output. With an input signal of about 1 volt rms at 1000 Hz connected to the input and an oscilloscope connected to the output, the circuit should amplify without drawing more than about 25 mA when the power supply voltage is 10 volts DC or greater, not to exceed 60 volts DC. The gain of the boards should be slightly higher than 20 (or 26 dB).

Each wire from the circuit board to the output transistors and bias diodes should be no longer than about 6 inches or oscillations could occur. Use only #18 or #20 stranded (not solid) wire for wires to the output transistors. There are two wires which run from each circuit board to the central ground. See the parts layout for the location of these. In addition, there are two wires which run from each board to nearby chassis grounding solder lugs. Keep the wires to these lugs short. The phono input jack should be isolated from the chassis by insulating shoulder washers. R51, C19, and C20 mounted on the loudspeaker output jacks. One end of C20 connects to a nearby chassis grounding solder lug. The ground (-) output for the loudspeaker connects to central ground and not to the circuit board. Any paint or corrosion under the chassis grounding solder lugs should be scraped away before the lugs are installed.

Before powering up the amp, double check the wiring from the board to D5 through D8, to Q18 through Q21, and to the amplifier power supply. A current limit bench power supply is best to initially power up the amp. Set R27 for maximum resistance before applying power. To protect the circuit if errors are present, use a 100 ohm 1 watt resistor in series with each power supply for the initial turn on. If too much current is drawn and the DC voltage between the metal cases of Q10 and Q11 is greater than 3-3.3 volts, either R27 is set wrong or there is an error in the wiring to D5 through D8. If a short circuit is measured from either power supply to loudspeaker output, a driver or output transistor is probably shorted. If a short circuit from either power supply to ground is measured, a short circuit in the main heat sinks should be suspected. In particular, check for metal "burs" which could have punctured the heat sink wafers for Q18-Q21.

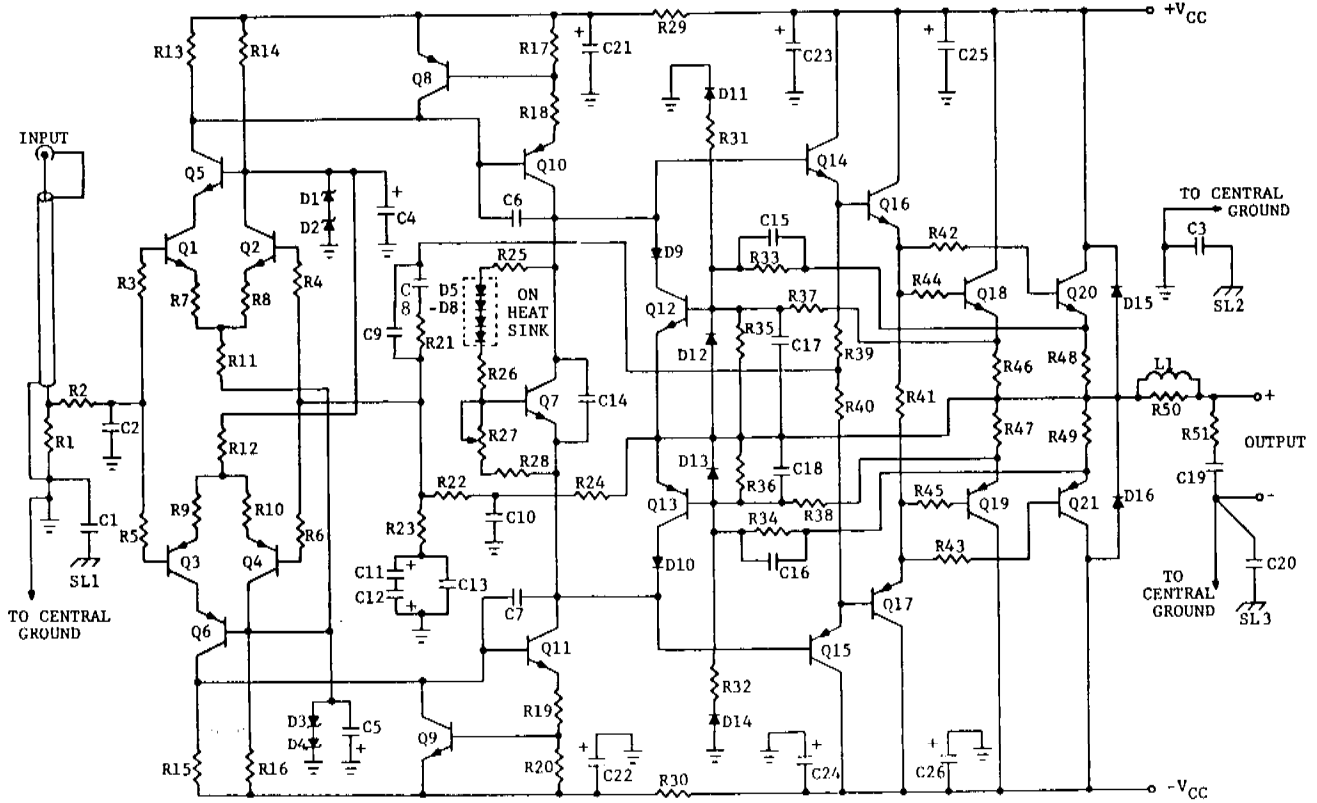
The final step is to bias each channel of the amp for 100 mA with no load. Remove the positive fuse to the channel being biased and connect a milliammeter in parallel with a short circuit jumper across the fuse clip. Power up the amp and remove the short circuit jumper. Adjust R27 for 100 mA until the bias stabilizes. This should take about 15-20 minutes. The heat sink will be barely warm. Repeat for the other channel.

If a 60 Hz hum (not a buzz) is encountered with the amp, disconnect one lead from the preamp. If the hum goes away, a ground loop inside the amp may be present. It can be broken by disconnecting the wire to central ground on the input side of one circuit board and installing a short circuit jumper between the two ground lugs on the phono input jacks. The input side of one board will then be grounded back through the other board.

Do not use substitute transistors or diodes. A nice looking chassis is the Mod-U-Line style WGLS size 5 by 17 by 12 inches with black exterior and front panel and with black style SPR-5-12 rack mount side panels. These are made by Intra Fab Inc., 660 Lanfest Rd., San Jose, Calif. 95133. Some parts suppliers which are recommended are as follows: Digi-Key Corp. P.O. Box 677, Thief River Falls, MN 56701 (1-800-344-4539), Jameco Electronics, 1355 Shoreway Road, Belmont, CA 94002 (1-415-592-8097), Active Electronics, P.O. Box 9100, Westborough, Mass. 01581 (1-800-343-0874), Newark Electronics, 500 N. Pulaski Rd., Chicago, Ill. 60624, and Allied Electronics, 821 Jones St., Fort Worth, Texas 76102. Newark and Allied have regional sales offices in many metropolitan areas. The addresses given are for the main headquarters.

W. Marshall Leach, Jr.
February 10, 1986

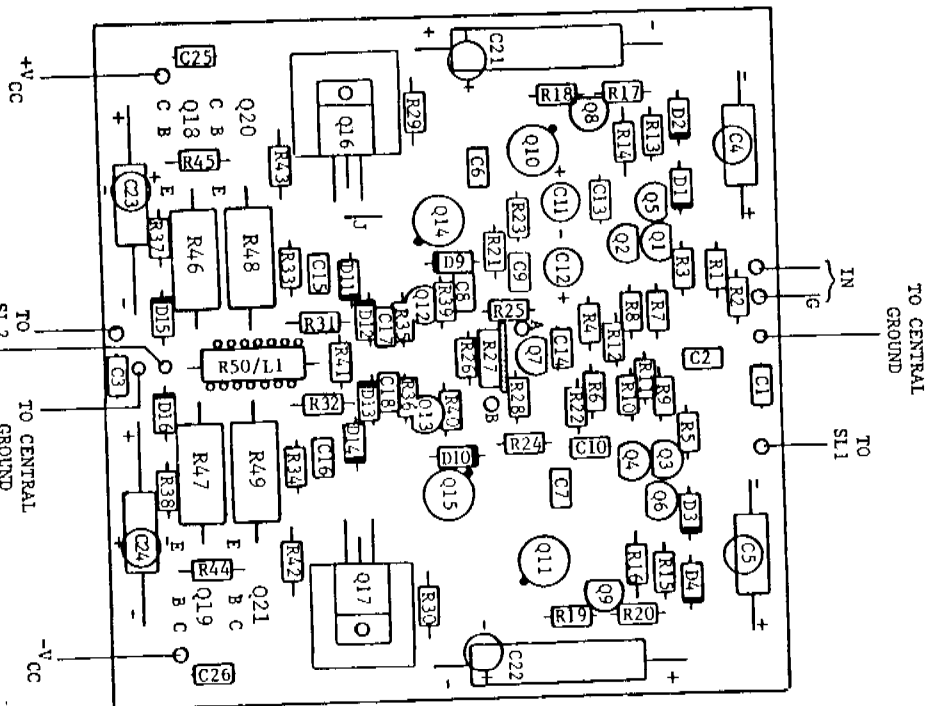
LOW TIM 4 AMPLIFIER CIRCUIT DIAGRAM (5-27-86)



J - Jumper Wire (One)
 A - To unbanded end of D5
 (see instructions)
 B - To banded end of D8
 (see instructions)
 Note: The loudspeaker ground return
 wire does not connect to this
 board. See instructions.

LOUDSPEAKER
 OUTPUT

Note: capacitors C4, C5,
 C21, C22, C23, C24 can
 be either axial or
 radial lead. Polari-
 ties for each type
 are shown.



SL1 & SL2 are grounding solder lugs to chassis
 at a nearby point to the circuit board. Keep
 wires to SL1 and SL2 short.

LOW TIM 4 AMPLIFIER PARTS LIST

LOW TIM 4 AMPLIFIER POWER SUPPLY

Transistors

Q1, Q2, Q5, Q7, Q9, Q12 (NPN) - 2N5210 Q3, Q4, Q6, Q8, Q13 (PNP) - 2N5087
 (DiGi-Key 2N5210) or MPS 8099 (DiGi-Key 2N5087) or MFS8599
 Q11, Q14 (NPN) - 2N3439 Q10, Q15 (PNP) - MMS415 or 2N5415
 Q16 (PNP) - MJE15030 or 2N6474 Q17 (PNP) - MJE15031 or 2N6476
 Q18, Q20 (NPN) - MJ15003 Q19, Q21 (PNP) - MJ15004

Diodes

D1, D2, D3, D4 - 1N5250B 20 volt zener diode (DiGi-Key 1N5250B)
 D5, D6, D7, D8, D15, D16 - 1N4004 rectifier diode (DiGi-Key 1N4004)
 D9, D10, D11, D12, D13, D14 - 1N4148 fast switching diode (DiGi-Key 1N4148)

Capacitors

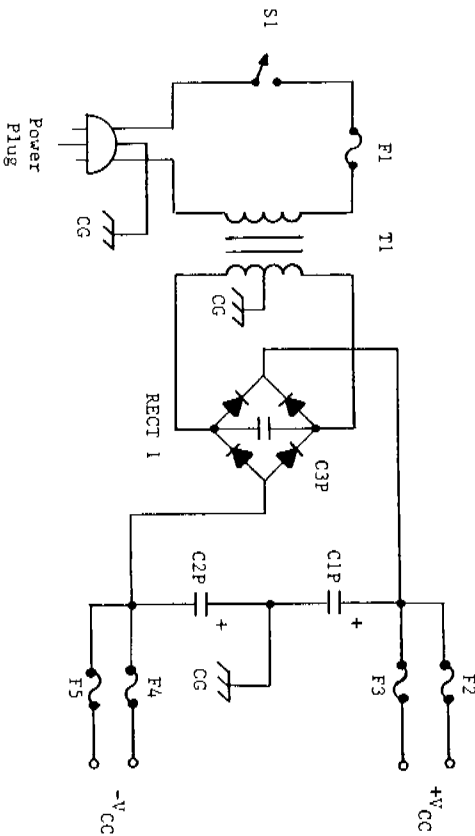
C1, C3, C13, C14, C17, C18, C19, C20, C25, C26 - 0.1 ufd metallized polyester capacitor (DiGi-Key E1104)
 C2 - 390 pf 5% silver mica capacitor (Arco DM15-391J)
 C4, C5, C21, C22 - 100 ufd 63 volt electrolytic capacitor (DiGi-Key P6083 radial or P5093 axial) (Note: caps C4 & C5 can be as low as 50 volts)
 C6, C7 - 10 pf 5% silver mica capacitor (Arco DM15-100J)
 C8 - 39 pf 5% silver mica capacitor (Arco DM15-390J)
 C10 - 150 pf 5% silver mica capacitor (Arco DM15-151J)
 C11, C12 - 330 ufd 10 volt electrolytic capacitor (DiGi-Key P6016 radial)
 C15, C16 - 0.01 ufd metallized polyester (DiGi-Key E2103)
 C23, C24 - 22 ufd 63 volt electrolytic capacitor (DiGi-Key Y6080 radial or P5090 axial)
 C9 - Omit (Open Circuit)

Resistors (1/4 watt 5% carbon film unless otherwise specified)

R1, R21 - 20 Kohm R27 - 2 Kohm Trimpot (DiGi-Key Q0A23)
 R2 - 2 Kohm R29, R30 - 100 ohm
 R3 through R10 - 300 ohm R31, R32 - 3.9 Kohm 1/2 watt
 R11, R12 - 10 Kohm R33, R34, R37, R38 - 470 ohm
 R13, R15, R28 - 1.2 Kohm R35, R36 - 200 ohm
 R14, R16 - 1.2 Kohm 1/2 watt for VCC= 52 R39, R40 - 240 ohm
 V, 1.6 Kohm 1/2 watt for VCC= 56 V, R41 - 120 ohm
 1.8 Kohm 1/2 watt for VCC= 59 V R42, R43, R44, R45 - 3.3 ohm 1/2 watt
 R17, R20 - 30 ohm R46, R47, R48, R49 - 0.33 ohm 5 watt
 R18, R19 - 360 ohm wirewound rectangular resistors
 R22, R24 - 11 Kohm (DiGi-Key 0.33W-5)
 R23 - 1.1 Kohm R50, R51 - 3.3 ohm 2 watt metal oxide
 R25, R26 - 1 Kohm film (DiGi-Key 3.3W-2)

Miscellaneous

L1 - #22 solid insulated wire wound tightly around R50 and soldered to the leads of R50 where they emerge from the resistor body, use 10 turns or more
 Heat sinks for Q16 and Q17 are Aavid 5741B (DiGi-Key H8111). Heat sink for Q18 through Q21 is Wakefield 423K, drilled on drill press from side on which transistors mount. Use 1/4" drill bit for 4 holes per transistor.
 Diodes D5 through D8 mount in 4 holes drilled in center of heat sink.



T1 - IIP Toroidal Transformer 7A018 for VCC= 52 volts and approximately 100 watts/channel or 8A026 for VCC= 59 Volts and approximately 120 watts/channel. These transformers are available from Active Electronics, P.O. Box 9100, Westborough, Mass. 01581, telephone 1-800-343-0874 outside Mass. only. These transformers have two secondary windings for a total number of secondary output lead wires of four. Two of these connect to the bridge rectifier (RECT 1) and the other two connect to central ground (CG). With the windings connected correctly, the AC voltage across the bridge rectifier output leads will be about 74 volts rms for the 7A018 and about 83 volts rms for the 8A026. With the windings connected incorrectly, the voltages will approximately cancel.

RECT 1 - 200 Volt 25 Amp Bridge Rectifier (DiGi-Key BR252-ND)
 C1P, C2P - Mallory CGS123U075FF1 12,000 UFD 75 Volt Electrolytic Capacitor or Equivalent
 S1 - AC switch rated at 15 amperes or greater
 F1 - 6 ampere slow blow fuse (use 8 ampere if fast blows on turn-ons)
 F2, F3, F4, F5 - 5 ampere fast blow fuses
 C3P - 0.1 ufd 250 volt capacitor (DiGi-Key E2104)