

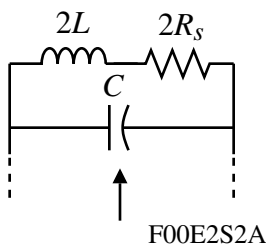
Homework Assignment No. 6 - Solutions

Problem 1 - (10 points)

An LC oscillator is shown. The value of the inductors, L , are 5nH and the capacitor, C , is 5pF. If the Q of each inductor is 5, find (a.) the frequency of oscillation, (b.) the value of negative resistance that should be available from the cross-coupled, source-coupled pair (M1 and M2) for oscillation and (c.) design the W/L ratios of M1 and M2 to realize this negative resistance.

Solution

(a.) The equivalent circuit seen by the negative resistance circuit is:



The frequency of oscillation is given as $1/\sqrt{2LC}$ or $\omega_o = 2\pi \times 10^9$ radians/sec.

Therefore the series resistance, R_s , is found as

$$R_s = \frac{\omega L}{Q} = \frac{2\pi \times 10^9 \cdot 5 \times 10^{-9}}{5} = 2\pi \Omega$$

Converting the series impedance of $2L$ and $2R_s$ into a parallel impedance gives,

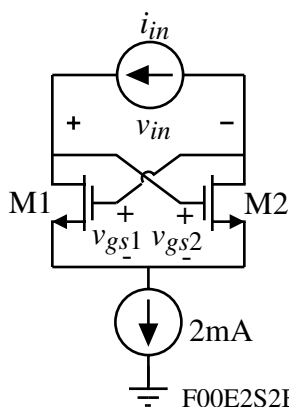
$$Y = \frac{1}{2R_s + j\omega 2L} = \frac{0.5}{R_s + j\omega L} \cdot \frac{R_s - j\omega L}{R_s - j\omega L} = \frac{0.5R_s}{R_s^2 + \omega^2 L^2} - j \frac{0.5\omega L_s}{R_s^2 - \omega^2 L^2}$$

The reciprocal of the conductance is the parallel resistance, R_p , given as

$$R_p = \frac{R_s^2 + \omega^2 L^2}{0.5R_s} = \frac{4\pi^2 + 4\pi^2 \cdot 25}{\pi} = 4\pi(26) = 326.7\Omega$$

$$\therefore \underline{\underline{R_{neg} = -104\pi \Omega = -326.7\Omega}}$$

(b.) The negative resistance seen by the RLC circuit is found as follows.



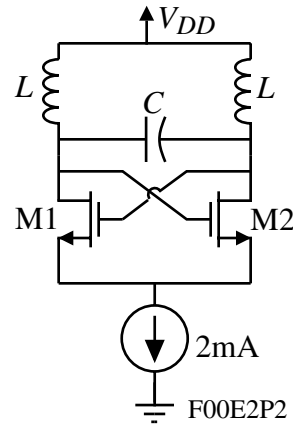
$$i_{in} = g_{m1}v_{gs1} - g_{m2}v_{gs2} = g_m(v_{gs1} - v_{gs2}) = -g_m v_{in}$$

$$\therefore R_{in} = \frac{-1}{g_m}$$

Assuming the 2mA splits evenly between M1 and M2 for the negative resistance calculation gives,

$$\text{Thus, } g_m = g_{m1} = g_{m2} = \frac{1}{104\pi} = \sqrt{2\text{mA} \cdot 110 \times 10^{-6} (W/L)} = \frac{\sqrt{W/L}}{2132}$$

$$\therefore W/L = \left(\frac{2132}{104\pi}\right)^2 = 42.6 \quad \Rightarrow \quad \underline{\underline{W/L = 42.6}}$$

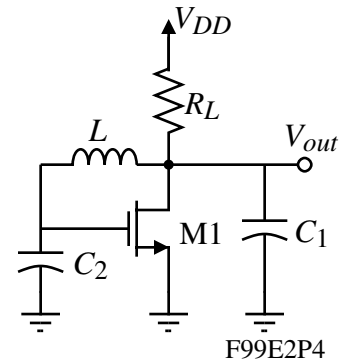
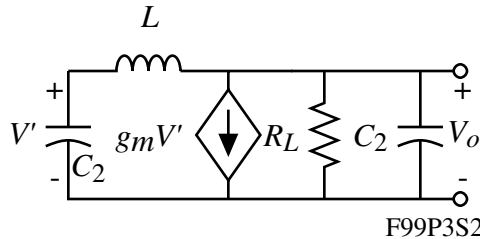


Problem 2 - (10 points)

An LC oscillator is shown. Find an expression for the frequency of oscillation and the value of $g_m R_L$ necessary for oscillation. Assume that the output resistance of the FET, r_{ds} , can be neglected.

Solution

An open-loop, small-signal model of this oscillator is shown below.



Writing a nodal equation at the output and input gives,

$$g_m V' + G_L V_o + sC_2 V_o + \frac{V_o - V'}{sL} = 0 \quad \text{and} \quad \frac{V_o - V'}{sL} = sC_2 V' \quad \rightarrow \quad V_o = V'(1 + s^2 LC_2)$$

$$\therefore \quad g_m V' + \left(G_L + sC_1 + \frac{1}{sL} \right) (1 + s^2 LC_2) V' - \frac{V'}{sL} = 0$$

Assuming a non-zero value of V' gives,

$$g_m + \left(G_L + sC_1 + \frac{1}{sL} \right) (1 + s^2 LC_2) - \frac{1}{sL} = g_m + G_L + sC_1 + \frac{1}{sL} + s^2 LC_2 G_L + s^3 LC_1 C_2 + sC_2 - \frac{1}{sL} = 0$$

$$\text{or} \quad (g_m + G_L - \omega^2 LG_L C_2) + j\omega [C_1 - \omega^2 LC_1 + C_2] = 0$$

Therefore, the frequency of oscillation is,

$$\omega_{osc} = \sqrt{\frac{C_1 + C_2}{LC_1 C_2}} = \frac{1}{\sqrt{\frac{LC_1 C_2}{C_1 + C_2}}}$$

The value of $g_m R_L$ necessary for oscillation is

$$g_m + G_L = LG_L C_2 \omega_{osc}^2 = G_L \left(1 + \frac{C_2}{C_1} \right) \quad \rightarrow \quad g_m R_L = \frac{C_2}{C_1}$$

Problem 3 – (10 points)

A Clapp oscillator which is a version of the Colpitt's oscillator is shown. Find an expression for the frequency of oscillation and the value of $g_m R_L$ necessary for oscillation. Assume that the output resistance of the FET, r_{ds} , and R_{Large} can be neglected (approach infinity).

Solution

The small-signal model for this problem is shown below.

The loop gain will be defined as V_{gs}'/V_{gs}' .

Therefore,

$$V_{gs}' = \frac{-g_m V_{gs}' R_L \parallel (1/sC_3)}{R_L \parallel (1/sC_3) + \frac{1}{sC_1} + \frac{1}{sC_2} + sL} \left(\frac{1}{sC_2} \right)$$

$$= \frac{-g_m V_{gs}' \frac{R_L (1/sC_3)}{R_L + (1/sC_3)} \frac{1}{sC_2}}{\frac{R_L (1/sC_3)}{R_L + (1/sC_3)} + \frac{1}{sC_1} + \frac{1}{sC_2} + sL}$$

$$T(s) = \frac{V_{gs}'}{V_{gs}'} = \frac{\frac{-g_m R_L}{sR_L C_3 + 1} \frac{1}{sC_2}}{\frac{R_L}{sR_L C_3 + 1} + \frac{1}{sC_1} + \frac{1}{sC_2} + sL} =$$

$$\frac{-g_m R_L}{sC_2}$$

$$R_L + (sR_L C_3 + 1) \left(\frac{1}{sC_1} + \frac{1}{sC_2} + sL \right)$$

$$T(s) = \frac{-g_m R_L}{sC_2 R_L + (sR_L C_3 + 1) \left(s^2 L C_2 + \frac{C_2}{C_1} + 1 \right)}$$

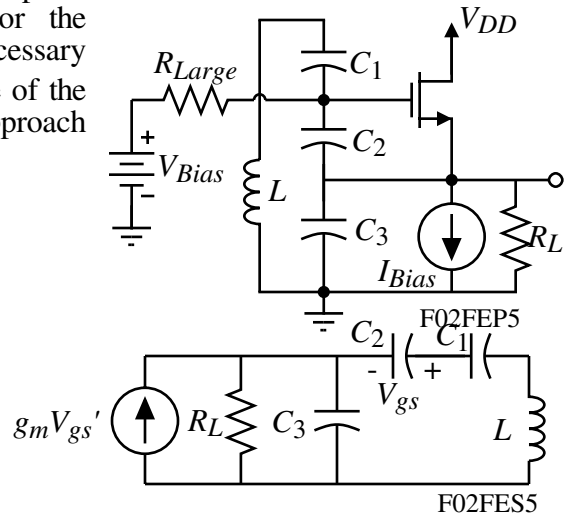
$$T(s) = \frac{-g_m R_L}{sC_2 R_L + s^3 R_L C_3 L C_2 + sR_L \frac{C_2 C_3}{C_1} + sC_3 R_L + s^2 L C_2 + \frac{C_2}{C_1} + 1}$$

$$T(j\omega) = \frac{-g_m R_L}{\left[1 + \frac{C_2}{C_1} - \omega^2 L C_2 \right] + j\omega \left[R_L (C_2 + C_3) + R_L \frac{C_2 C_3}{C_1} - \omega^2 R_L C_3 L C_2 \right]} = 1 + j0$$

$$\therefore C_2 + C_3 + \frac{C_2 C_3}{C_1} = \omega_{osc}^2 C_3 L C_2 \quad \rightarrow \quad \boxed{\omega_{osc} = \sqrt{\frac{1}{L} \left(\frac{1}{C_1} + \frac{1}{C_2} + \frac{1}{C_3} \right)}}$$

Also, $g_m R_L = \omega_{osc}^2 L C_2 - 1 - \frac{C_2}{C_1} = C_2 \left(\frac{1}{C_1} + \frac{1}{C_2} + \frac{1}{C_3} \right) - \frac{C_2}{C_1} - 1 = \frac{C_2}{C_3} \rightarrow$

$$\boxed{g_m R_L = \frac{C_2}{C_3}}$$



Problem 4 – (50 points maximum)

The objective of this problem is to use passive LC tank and negative feedback circuit to design an LC oscillator that meets the GSM specification. At first, show the condition that the ideal circuit oscillates at $\omega_{osc} = \frac{1}{\sqrt{LC}}$ and find quality factor, Q . The transistors should be modeled with the standard small-signal model using g_m and r_{ds} or r_{out} in this part of the problem. Second, use SPICE to obtain a transient simulation. Third, simulate the oscillator that replaces the ideal inductor with the lumped inductor model shown, and use the program referenced below [1] to layout the inductor. Use the model parameters given in [2] for this problem.

Fig.1. Ideal LC VCO

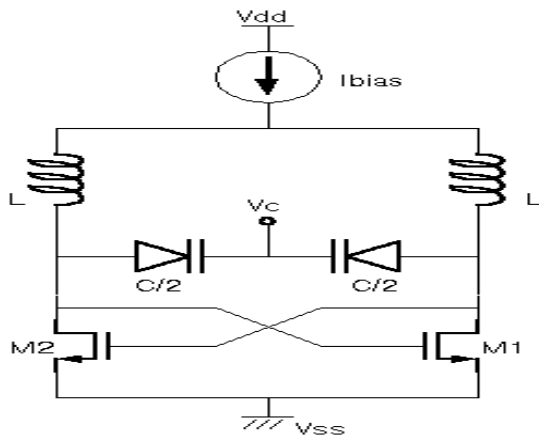
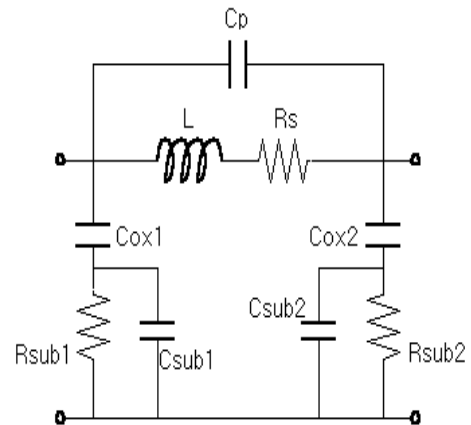


Fig.2. Lumped Inductor Model



GSM specifications:

$$\text{Frequency range} = 935 \sim 960\text{MHz} \quad v_c = 0.75 \sim 1.75\text{V}$$

$$\text{Switching time} = 800\mu\text{sec} \quad V_{DD} = 2.5\text{V}$$

Technology parameter:

$$\text{Metal sheet resistance} = 35 \text{ m}\Omega/\text{sq.}$$

$$\text{Substrate layer resistivity} = 0.015 \Omega\text{-cm}$$

$$\text{Metal to substrate capacitance} = 5.91 \text{ aF}/\mu\text{m}^2$$

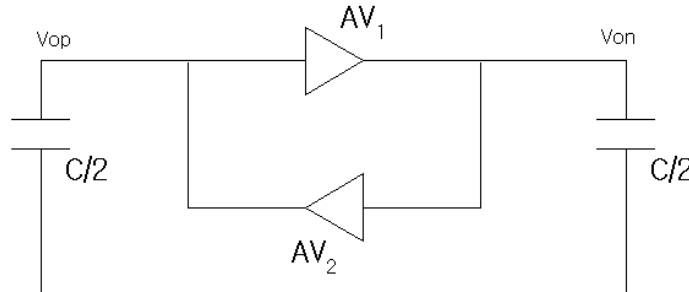
$$\text{Metal to metal capacitance} = 98.0 \text{ aF}/\mu\text{m}$$

C_{sub} , R_{sub} , C_p can be ignored

Problem 4 - Continued

Solution

LC VCO equivalent



$$A_{v1} = A_{v2} = G_m * (r_{out} \parallel L \parallel C/2)$$

$$A_{v1}(s) = A_{v2}(s) = G_m \frac{1}{\frac{1}{r_{out}} + \frac{1}{Ls} + \frac{C}{2}s} = G_m s L \frac{1}{1 + s \frac{L}{r_{out}} + s^2 L \frac{C}{2}}$$

where G_m and r_{out}

are the transconductance and the output resistance of M1 and M2 transistors respectively, $C/2$ is the total output capacitance at the outputs V_{on} and V_{op} . For this circuit to oscillate, the gain around the loop must be equal to negative one; therefore, each cross coupled gain stage can be presented as shown below. Hence, the total gain equation around the loop is

equal to $H(s) = \frac{A_{v1}(s)}{1 - A_{v1}(s)}$.

Substituting for $A_{v1}(s)$,

$$H(s) = \frac{\frac{G_m s L}{1 + s \frac{L}{r_{out}} + s^2 L \frac{C}{2}}}{1 - \frac{G_m s L}{1 + s \frac{L}{r_{out}} + s^2 L \frac{C}{2}}} = \frac{G_m s L}{1 - s L (G_m - G_{out}) + s^2 L \frac{C}{2}}$$

For this circuit to oscillate at $\omega_{osc} = \frac{1}{\sqrt{L \frac{C}{2}}}$, it is necessary for the s term in the denominator

to be equal to zero; hence, $G_m = \frac{1}{r_{out}} = G_{out}$

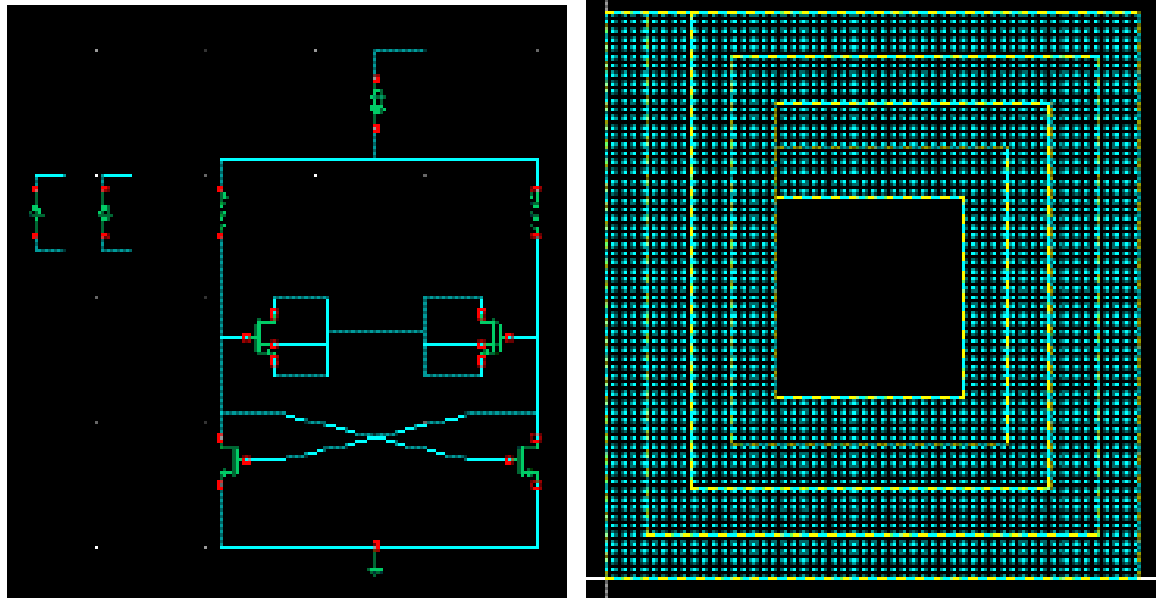
By forcing G_m greater than G_{out} a pair of complex poles are forced in the right side plane. This is the condition to start oscillation. Once the oscillation starts, the G_{eff} parameter ($G_{eff} =$

$G_m - G_{out}$) approaches zero and the oscillation becomes sustaining, giving a $Q = \frac{\sqrt{L \frac{C}{2}}}{L G_{eff}} = \sqrt{\frac{C}{2L}} R_{eff}$

Problem 4 – Continued

Inductor Layout:

LC VCO schematic and inductor layout



Each element size

Negative resistance transistor(M1 and M2): L=.25um, W=25um, M=20

Accumulation Capacitor(C1 and C2): L=.5um, W=345um, M=50

Ideal inductor size: .865nH

Inductor's layout figure: turns=2, spacing=.5um, width=40um, diameter=250um

Inductor's parasitic resistor, $R_s=1.186$ Ohms (from layout and its technology parameter)Inductor's parasitic cap, C_{ox1} and $C_{ox2}=160.22$ fF (from layout and its technology parameter)

Current source: 1mA, Tuning voltage: 0.75~1.75